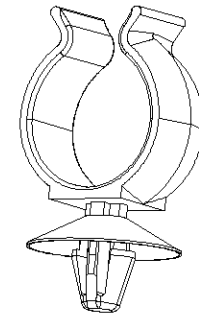
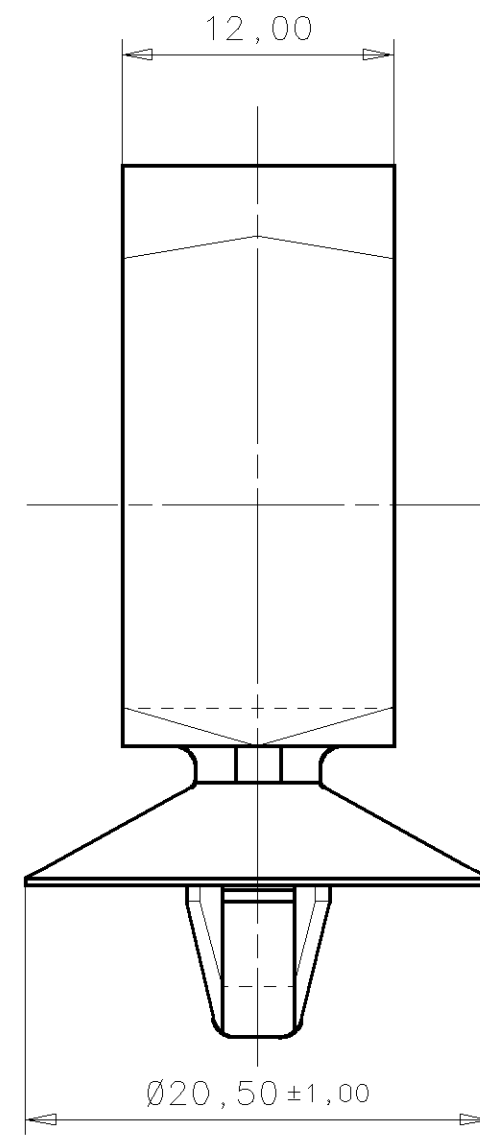
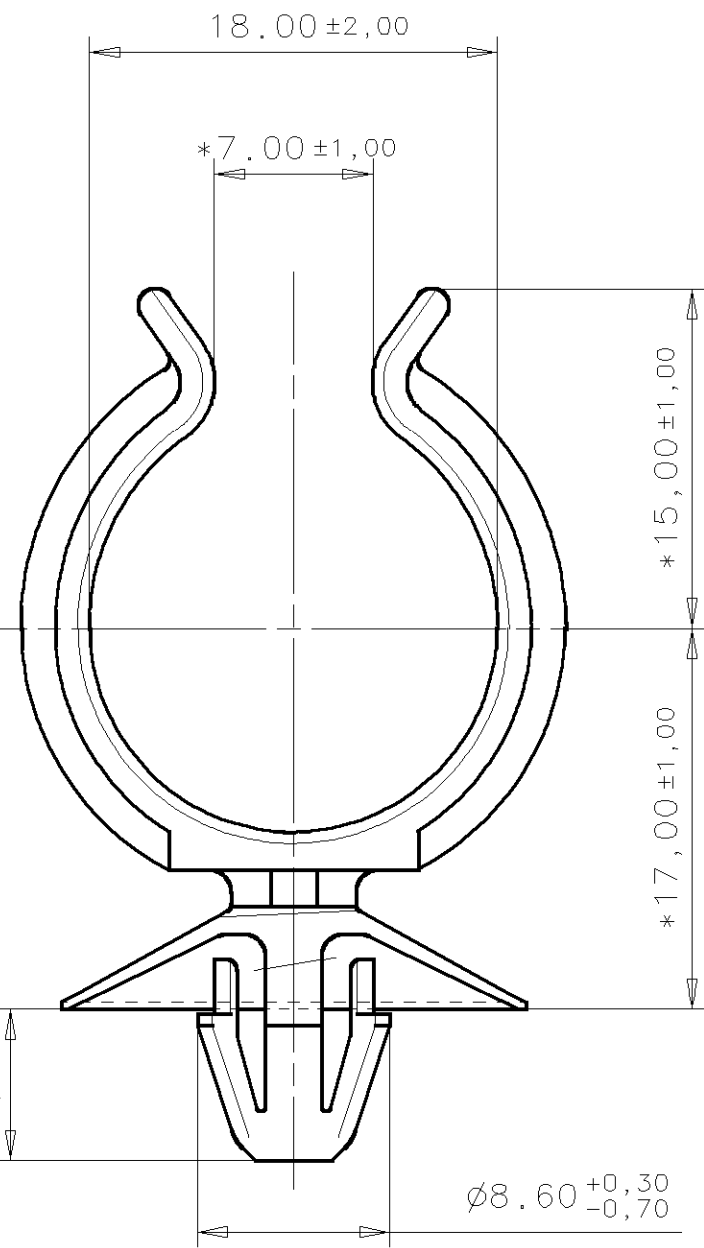
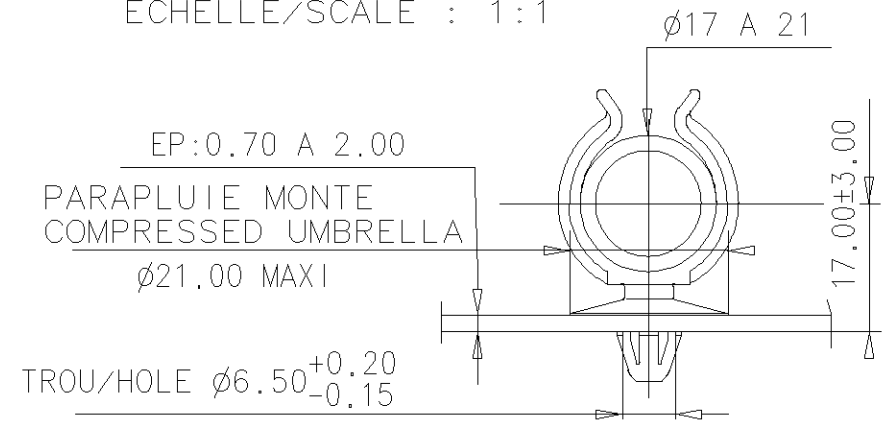


VUE ISOMETRIQUE/3D VIEW
ECHELLE/SCALE : 1:1



EXEMPLE D'UTILISATION/USE EXAMPLE
ECHELLE/SCALE : 1:1



LES COTES * SONT A CONTROLER AVEC UNE PIGE Ø18
MISE EN PLACE DANS SON LOGEMENT.
THE DIMENSIONS * ARE TO CHECK WITH A PIPE Ø18
IN HIS SEAT

Ga	--	INTERNATIONAL DRAWING	31/10/08	FA
G	01	durite Ø18à21-->Ø17à21	15-02-91	
F	01	0.7à3-->0.7à2	20-09-88	
E	01	Modif cotation	27-06-88	
D	02	Ø23-->Ø20.5 ; 0.7à4-->0.7à3	17-05-88	
Ca	00	maj informatique	03-05-88	
IND	Nb DIM	DESCRIPTIONS / DESIGNATIONS	DATE	VISAS

If the addressee does not accept these conditions, please notify A.Raymond sender immediately.
Si problème de compréhension, merci de demander la version française à A.Raymond avant toute utilisation.
This drawing and all information (the "Drawing") disclosed are the exclusive property of A.Raymond.
By using this Drawing the Addressee acknowledges and accepts that this Drawing
(1) is covered by A.Raymond intellectual property rights or know-how, and,
(2) is provided under the following conditions who represent a Deposit Agreement.
This Drawing is for Addressee' internal use only limited to its estimation.
Without prior written consent of A.Raymond, no permission or rights for any purpose, is hereby granted, such as, without any limitation,
(1) the copy, in part or entirely,
(2) and/or the presentation, in part or entirely, to any other third party outside the Addressee' company or in the company but with no interest
(3) and/or the distribution of the Drawing, in part or entirely, in any medium
(4) and/or the creation of any derivative work.
In case of breach of these conditions, Addressee shall indemnify A.Raymond from and against all damages (compensatory or consequential), costs, expenses and charges, caused or arising out of or attributable to its willful misconduct, fraud, negligence, infringement of A.Raymond' Intellectual Property rights.

FORMAT	A3	SCALE/ECH	1:1	TH/EP(mm)		VOL(mm3)		WEIGHT/POIDS(g)		SHEET/PLANCHE		TOLERANCE dimension / angle	± 0.50 5.0	DATE	21-02-88
--------	----	-----------	-----	-----------	--	----------	--	-----------------	--	---------------	--	-----------------------------	------------	------	----------

SURFACE TREATMENT OR COLOR / TRAITEMENT DE SURFACE OU COULEUR:
Noir

MATERIAL TREATMENT / TRAITEMENT STRUCTURAL:	ACHIEVED/REALISE: Loiodice
SANS	VISA:
MATERIAL / MATIERE:	APPROVED/APPROUVE: /
PMOC 0720 MODIFIE CHOC 20* (Type Ultraform N 2640 Z 4) Densite 1,3	VISA:

TITLE / LIBELLE: **SUPPORT TUBE
PIPE CLIP**

CUSTOMER DATA / REF. CLIENT:		
NUMBER / NUMERO:	054478 .001	

I-Deas MS10 CAD FILE DO NOT MODIFY / PLAN REALISE EN CAO I-Deas MS10 NE PAS MODIFIER MANUELLEMENT

VERIFIER L ECHELLE APRES PHOTOCOPIE / BEWARE SCALE AFTER COPY

<http://www.cergy-vis.fr>
[CERGY-VIS]
 ET SI ON PARLAIT SERVICE