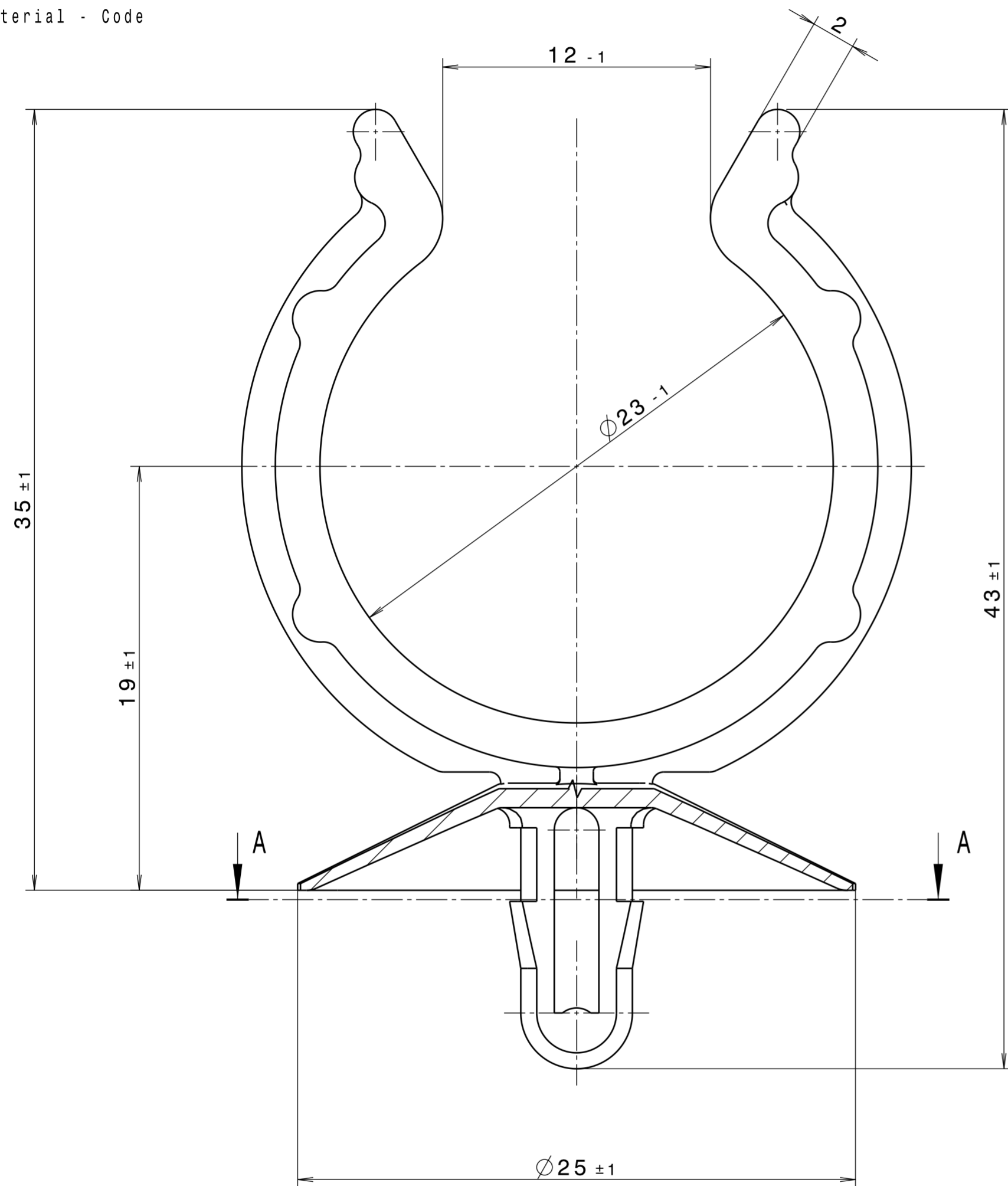
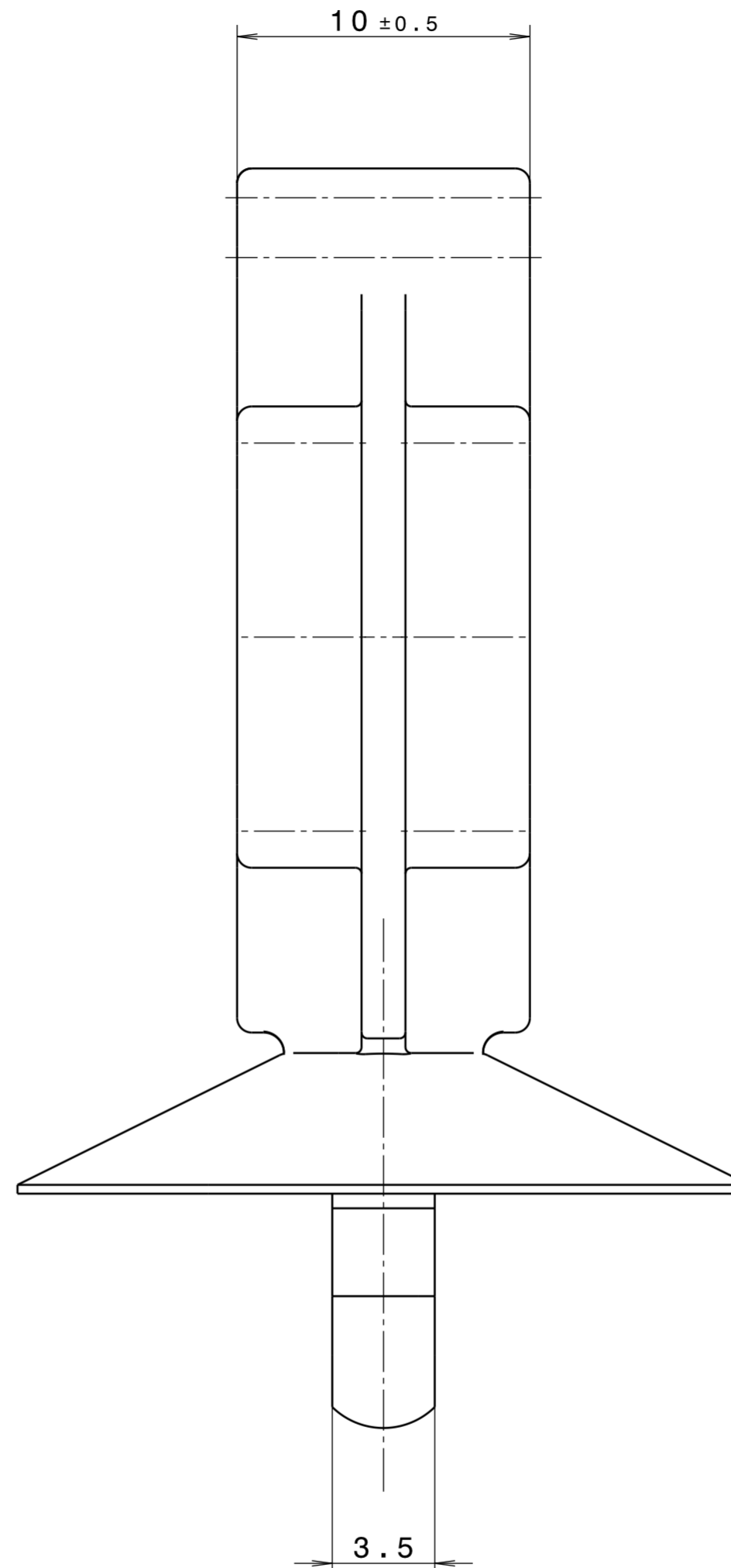
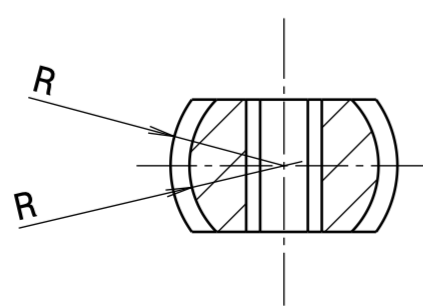


Kennzeichnung an geeigneter Stelle anbringen
 Identification to be set at suitable place

Kennzeichnung: / Identification:
 Hersteller - Code
 Mfr. - Code
 Werkstoff - Code VDA 260 >PA<
 Material - Code

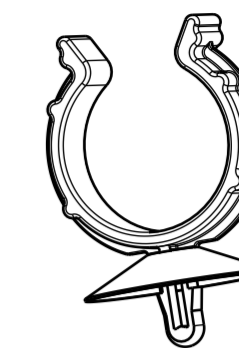


Schnitt / section A-A



Bemerkungen /
 Remarks

1:1



Befest. - Loch = Ø5 ^{+0.2}
 Fastening hole
 Befest. - Dicke = 0,7 . . . 2,8
 Fastening thickness

passend fuer Rohr- oder Schlauch-Ø23 und Ø24
 applicable for pipe- or hose-diameter 23 and 24

Rev.	Anzahl/ quantity	Aenderungsbeschreibung / modification description	Datum/date	Name
Eb	-	Zeichnung ueberarbeitet nach AR- Gruppenstandard, Teil unveraendert	21.03.12	Pr



Teichstrasse 57
 Germany - 79511 Loerrach
 Phone +49 (0) 7621 174-0
 Fax +49 (0) 7621 174-2 25

Bei Verstaendnisproblemen befragen Sie bitte beim Absender die deutsche Fassung vor jeder Anwendung.
 "CONDITIONS OF USE"
 This drawing and all information (the "Drawing") disclosed are the exclusive property of ARaymond.
 By using this Drawing the Addressee acknowledge and accept that this Drawing
 (1) is covered by ARaymond Intellectual Property rights or know-how and
 (2) is provided under the following conditions who represent a Deposit Agreement.
 This Drawing is for Addressee internal use only limited to its estimation.
 Without prior written consent of ARaymond, no permission or rights for any purpose, is hereby granted, such as, without any limitation,
 (1) the copy, in part or entirely
 (2) and/or the presentation, in part or entirely, to any other third party outside the Addressee company or in the company but with no interest
 (3) and/or the distribution of the Drawing, in part or entirely, in any medium
 (4) and/or the creation of any derivative work.
 In case of breach of these conditions, Addressee shall indemnify ARaymond from and against all damages (compensatory or consequential), costs, expenses and charges, caused or arises out of or attributable to its willful misconduct, fraud, negligence, infringement of ARaymond Intellectual Property rights. If the Addressee does not accept these conditions, please notify ARaymond sender immediately.

Erstattet fuer/ substitute for	016850 000/Ea/26.05.08	Entw.Ref./ dev.ref.	-	Projekt-Nr./ project no.	P26123
Masstab/ scale	5:1	Allgemeintoleranz/ general tolerance	Siehe Tabelle / see table		
Format	A2	Datum/ date	21.03.2012		
Erstellt von/ prepared by	Preuß				
Freigegeben/ approved	20120322100258				
Blechteicke/ mat. thickness DIN EN 10140	Volumen/ volume (mm ³)		2225	Gewicht/ weight (g)	2,5

Werkstoffbehandl./
 material treatment
 konditioniert / conditioned
 Wassergehalt / water content: 1 ... 3%

Werkstoff/
 material
 PA 66 waermestabil
 Mat. code
 2532

Benennung/
 title
 Kabelhalter
 hose clip

016850-0-01	schwarz black	SW	7000
016850-0-00	farblos nature	FL	0000
Teil-Nr. / part-no.	Oberflaeche / Farbe / finish / colour	Oberfl.Code / finish code	Ausfuehrung / execution

Teil-Nr./ part no.	016850-0-00		Drawing type C:Customer
Kundenteile-Nr. / customer part no.	-		Blatt / sheet 1 / 1
CAD system & version	CATIA V5 R19		Dateiname / filename 016850-0C00

>400 <= 1000	±2
>120 <= 400	±1.5
> 30 <= 120	±1
> 6 <= 30	±0.5
<= 6	±0.25
Winkel / Angle	±3°

Allgemeintoleranzen fuer
 Nennmaesse ohne Toleranz.
 General tolerances for
 nominal dimensions without
 specified tolerance.