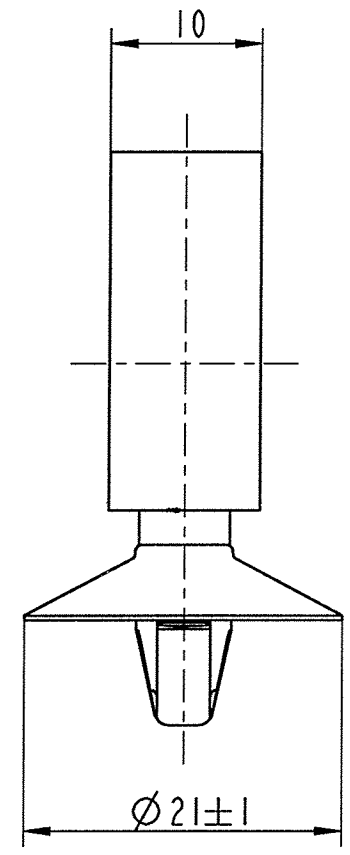
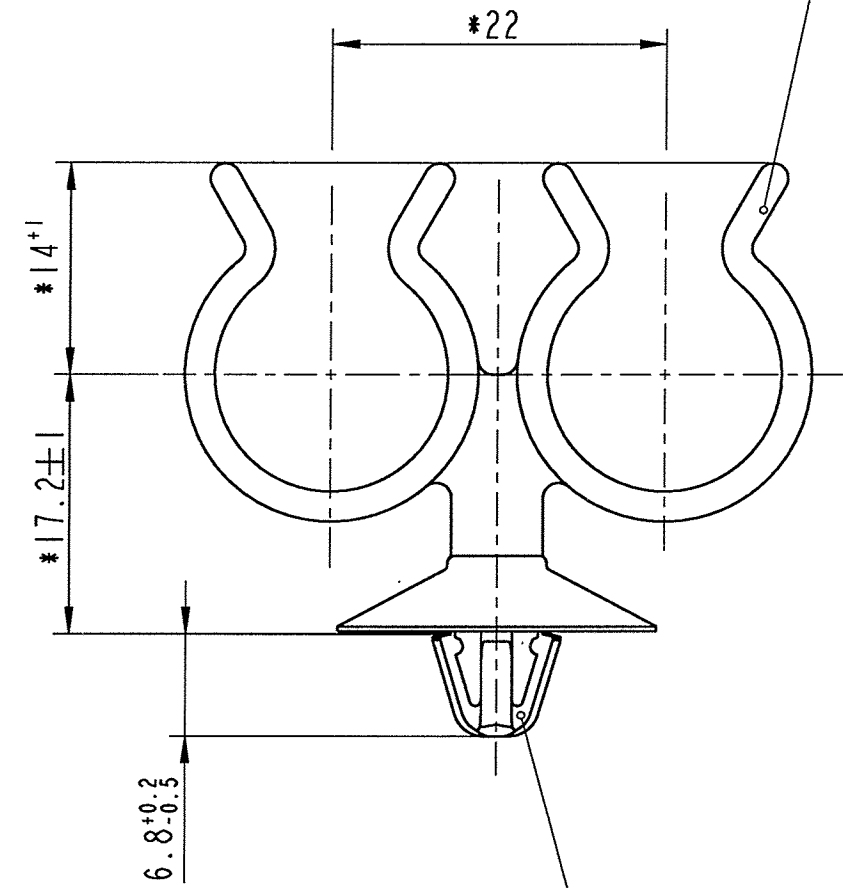


Teil-Nr./Prt.-No.: 016277 000
 fuer Rohr- oder Schlauch-2x Ø16...Ø17
 applicable for pipe- or hose-2x Ø16...Ø17
 Werkstoff / material:
 PA 66 -GF 25- waermestabil / heat stabilized



Teil-Nr./Prt.-No.: 175036 001
 Aufnahmebolzen / connector bolt
 Werkstoff / material:
 PA 66 - waermestabil / heat stabilized

Befest. - Loch = Ø6.5^{±0.2}
 Fastening hole
 Befest. - Dicke = 0.5 ... 3
 Fastening thickness

-	-	-	-	-	-
-	-	-	-	-	-
-	-	-	-	-	-
-	-	-	-	-	-
-	-	-	-	-	-
Aa	-	Erstfreigabe	10.01.07	kl	7
Ind.	Samml. vor/ bzw. offen	Beschreibung / Description	Datum/Date	Name	
Aenderungen / Modifications					
Format DIN A3		SPEZIALBEFESTIGUNGSSYSTEME WELTWEIT / ENGINEERED FASTENERS WORLDWIDE			
Bei Verstaendnisproblemen beantragen Sie bitte beim Absender die deutsche Fassung vor jeder Anwendung. "CONDITIONS OF USE" This drawing and all information (the "Drawing") disclosed are the exclusive property of A.Raymond. By using this Drawing the Addressee acknowledge and accept that this Drawing (1) is covered by A.Raymond' intellectual property rights or know-how and (2) is provided under the following conditions who represent a Deposit Agreement. This Drawing is for Addressee' internal use only limited to its estimation. Without prior written consent of A.Raymond, no permission or rights for any purpose, is hereby granted, such as, without any limitation, (1) the copy, in part or entirely (2) and/or the presentation, in part or entirely, to any other third party outside the Addressee' company or in the company but with no interest (3) and/or the distribution of the Drawing, in part or entirely, in any medium (4) and/or the creation of any derivative work. In case of breach of these conditions, Addressee shall indemnify A.Raymond from and against all damages (compensatory or consequential), costs, expenses and charges, caused or arising out of or attributable to its willful misconduct, fraud, negligence, infringement of A.Raymond' Intellectual Property rights. If the Addressee does not accept these conditions, please notify A.Raymond' sender immediately.					
Dateiname/ Filename		CAD-PE: 082258_C_02			
Ersatz fuer/ Substitute for		Proj.-Nr./ Proj.-No.		RASCH-Code	
-		50719-K		BBDA-	
		Vol.(mm ³)		Gewicht/ Weight (g)	
		-		-	
Schutzrechte/ Patent rights vorbehalten / all rights reserved					
Gepr./ App.		F.-gepr./ Produktion		Q.-gepr./ Quality	
7		7		S.-gepr./ Patent app.	
Maßstab / Scale		Allgem.Tel. wenn nicht anders angegeben/ General tel. unless otherwise specified		Datum/ Date	
2:1		±0.5 / ±5°		10.01.2007	
				Gez./ Drawn	
				Klar	
Oberflächenbehandlg./ Finish					Kennzahl/ Code number
					-
Werkstoffbehandlg./ Material treatment					Blechkicke/ Mat.Thickn. DIN EN 10 140
					-
Werkstoff/ Material		siehe Zeichnung see drawing			Mat.-Code
					8800
Benennung/ Partname					
Aufnahmebolzen/Schlauchhalter drehbar connector bolt / hose clip rotatable					
Teil-Nr./ Part-No.		082258 001			C

* Maße sind bei eingedruckten Pruefstiften 2x Ø16 zu messen
 dimensions must be measured with preassembled test pin 2x Ø16

Teilgewicht errechnet : 3.9 g
 part weight calculated :

082258 001	schwarz black	SW	7000
Teil-Nr. / Part-No.	Oberfläche / Farbe / Finish / colour	Kennzahl / Code number	
	Ausführung / Execution		