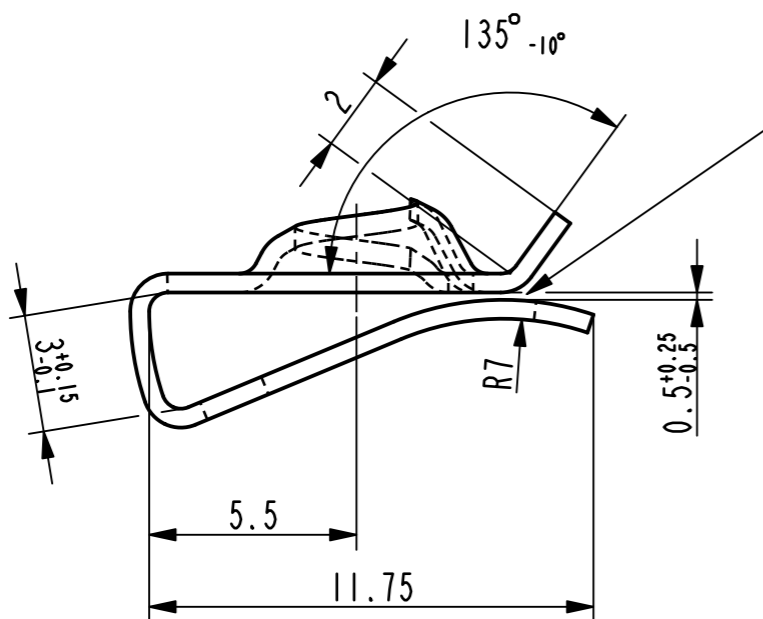
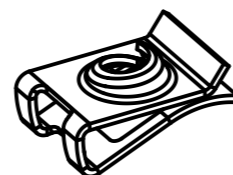


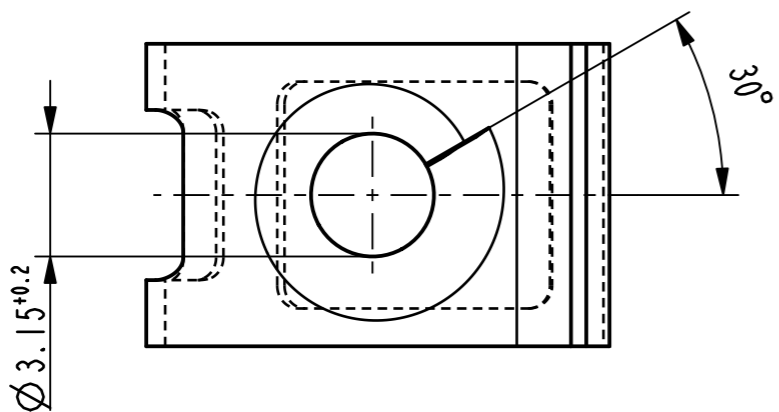
Einbausituation /
assembly situation
2:1



Bc Ueberbrueckung der Oeffnung durch metallhaltige Korrosionsschutzbeschichtung zulaessig / surface finish bridging permissible



Isometrische Ansicht /
isometric view
2:1



012988-0-05	metallhaltige Korrosionsschutzbeschichtung, Farbe silber, GZ metallic corrosion protection coated, colour silver, lubricated	4001
012988-0-04	verzinkt / passiviert farblos zinc plated / passivated colourless	3250
012988-0-03	metallhaltige Korrosionsschutzbeschichtung, Farbe silber metallic corrosion protection coated, colour silver	5450
Teil-Nr. / part no.	Oberflaeche / Farbe / finish / colour	Oberfl. Code/ finish code
Ausfuehrung / Execution		

Vor Auslegung einer automatisierten Verarbeitung des Teils sollte Ruecksprache mit Fa. ARaymond gehalten werden.
Fully automatic processing of the part requires prior consultation with ARaymond.

-	-	-	-	-
-	-	-	-	-
-	-	-	-	-
-	-	-	-	-
-	-	-	-	-
-	-	-	-	-
-	-	-	-	-
-	-	-	-	-
-	-	-	-	-
-	-	-	-	-
-	-	-	-	-

Bc	lx	Bemerkung hinzug., Oberflaechenvariante 001 (3000) entfernt	25.10.11	Ru
Rev.	Anzahl/ quantity	Aenderungsbeschreibung / modification description	Datum/date	Name



Teichstrasse 57
Germany - 79511 Loerrach
Phone +49 (0) 7621 174-0
Fax +49 (0) 7621 174-225

Bei Verstaendnisproblemen beantragen Sie bitte beim Absender die deutsche Fassung vor jeder Anwendung.
"CONDITIONS OF USE"
This drawing and all information (the "Drawing") disclosed are the exclusive property of ARaymond. By using this Drawing the Addressee acknowledges and accepts that this Drawing (1) is covered by ARaymond' intellectual property rights or know-how and (2) is provided under the following conditions who represent a Deposit Agreement. This Drawing is for Addressee' internal use only limited to its estimation. Without prior written consent of ARaymond, no permission or rights for any purpose, is hereby granted, such as, without any limitation, (1) the copy, in part or entirely, (2) and/or the presentation, in part or entirely, to any other third party outside the Addressee' company or in the company but with no interest (3) and/or the distribution of the Drawing, in part or entirely, in any medium (4) and/or the creation of any derivative work. In case of breach of these conditions, Addressee shall indemnify ARaymond from and against all damages (compensatory or consequential), costs, expenses and charges, caused or arising out of or attributable to its willful misconduct, fraud, negligence, infringement of ARaymond' intellectual property rights. If the Addressee does not accept these conditions, please notify ARaymond' sender immediately.

Intellectual property rights	vorbehalten / all rights reserved		Classification code	AAAA
Ersatz fuer/ substitutio for	012988_C_01/Bb/25.04.2007	Entw.Ref./ dev.ref.	Projekt-Nr./ project no.	
Maassstab/ scale	Format	Allgemeintoleranz/ general tolerance	Datum/ date	25.10.2011
			Erstellt von/ prepared by	Ruzicka
Projektion / projection	ALL DIMENSIONS ARE IN MILLIMETERS		Freigegeben/ approved	20111025130910
	Blechedicke/ mat. thickness DIN EN 10140	0.50	Volumen/ volume (mm³)	75.1
			Gewicht/ weight (g)	0.6

Oberfl. /
finish phosphatiert / lackiert, Farbe schwarz (nicht deckend) / impraegniert
phosphated / varnished, colour clear black / oiled

Oberfl. Code/
finish code
5307

Werkstoffbehandl./
material treatment
zwischenstufenverguetet / austempered
375 ... 475 HV 5

Werkstoff/
material
C67S DIN EN 10132-4

Mat. code
1000

Benennung/
title
Blechmutter
fuer Gewinde EN ISO 1478 - ST4.2
sheet metal nut
for thread EN ISO 1478 - ST4.2

Teil-Nr. /
part no. 012988-0-02

Drawing type
C:Customer

Kundenteile-Nr. / customer part no. -

Blatt / sheet 1 / 1

CAD system & version ProE WF4

Dateiname / filename 012988-0C00