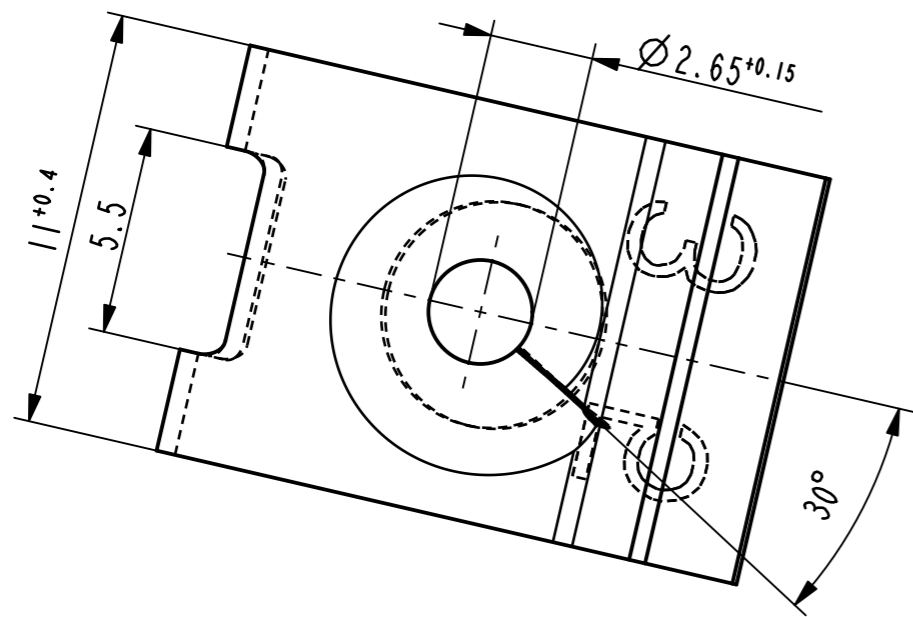
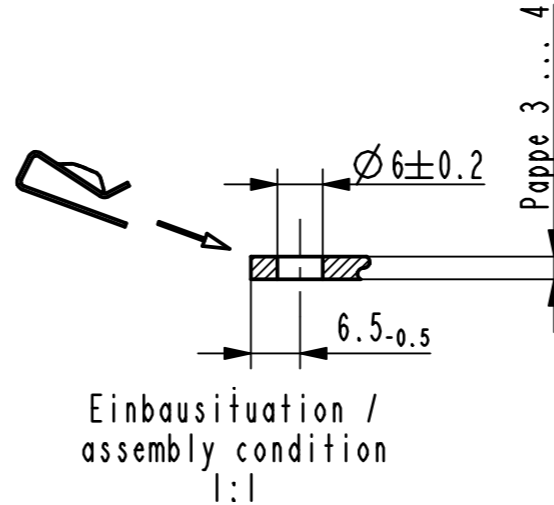
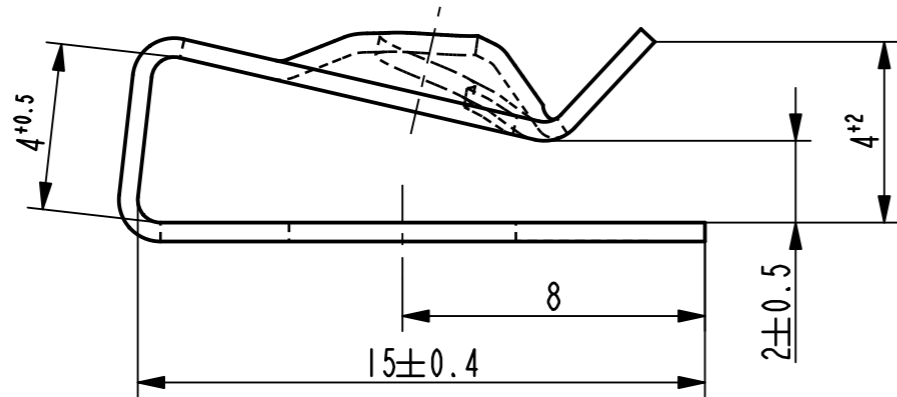


3D-Ansicht /
isometrical view
2:1



013199-0-06	metallhaltige Korrosionsschutzbeschichtung, Farbe silber, GZ metallic corrosion protection coated, colour silver, lubricated	4001
013199-0-05	verzinkt / passiviert farblos zinc plated / passivated colourless	3250
013199-0-04	metallhaltige Korrosionsschutzbeschichtung, Farbe silber metallic corrosion protection coated, colour silver	5410
013199-0-03	phosphatiert / impraegniert phosphated / oiled	5100
Teil-Nr. / part no.	Oberflaeche / Farbe / finish / colour	Oberfl. Code/ finish code
Ausfuehrung / Execution		

Vor Auslegung einer automatisierten Verarbeitung des Teils sollte Ruecksprache mit Fa. A.Raymond gehalten werden.
Fully automatic processing of the part requires prior consultation with A.Raymond GmbH.

-	-	-	-	-
-	-	-	-	-
-	-	-	-	-
-	-	-	-	-
-	-	-	-	-
-	-	-	-	-
-	-	-	-	-
-	-	-	-	-
-	-	-	-	-

Cb	lx	Allgem.Tol. berichtigt; Oberflaechenvariante entfernt (3000)	08.10.10	mj
Rev.	Anzahl/ quantity	Aenderungsbeschreibung / modification description	Datum/date	Name



Bei Verstaendnisproblemen beantragen Sie bitte beim Absender die deutsche Fassung vor jeder Anwendung.
"CONDITIONS OF USE"
This drawing and all information (the "Drawing") disclosed are the exclusive property of A.Raymond. By using this Drawing the Addressee acknowledge and accept that this Drawing (1) is covered by A.Raymond' Intellectual property rights or know-how and (2) is provided under the following conditions who represent a Deposit Agreement. This Drawing is for Addressee' Internal use only limited to its estimation. Without prior written consent of A.Raymond, no permission or rights for any purpose, is hereby granted, such as, without any limitation, (1) the copy, in part or entirely (2) and/or the presentation, in part or entirely, to any other third party outside the Addressee' company or in the company but with no interest (3) and/or the distribution of the Drawing, in part or entirely, in any medium (4) and/or the creation of any derivative work. In case of breach of these conditions, Addressee shall indemnify A.Raymond from and against all damages (compensatory or consequential), costs, expenses and charges, caused or arising out of or attributable to its willful misconduct, fraud, negligence, infringement of A.Raymond' Intellectual property rights. If the Addressee does not accept these conditions, please notify A.Raymond' sender immediately.

Schutzrechte/ patent rights	vorbehalten / all rights reserved		Rasch Code/ classification	AAAAB
Ersatz fuer/ substitutio for	013199_c_01/Ca/18.04.2007	Entw.Ref./ dev.ref.	Projekt-Nr./ project no.	58423-EM

Masstab/ scale	Format	Allgemeintoleranz/ general tolerance	Datum/ date	08.10.2010
5:1	A3	±0.25 / ±5°	Erstellt von/ prepared by	M. Junge

Projektion / projection	ALL DIMENSIONS ARE IN MILLIMETERS	Freigegeben/ approved	20101014094120	
	Blechedicke/ mat. thickness DIN EN 10140	0.50	Volumen/ volume (mm³)	156.1
			Gewicht/ weight (g)	1.3

Oberfl. / finish	phosphatiert phosphated	Oberfl. Code/ finish code	5000
---------------------	----------------------------	------------------------------	------

Werkstoffbehandl./ material treatment	zwischenstufenverguetet / austempered 375 ... 475 HV 5		
--	---	--	--

Werkstoff/ material	C67S DIN EN 10132-4	Mat. code	1000
------------------------	---------------------	-----------	------

Benennung/
title
Blechmutter
fuer Gewinde EN ISO 1478-ST3.5
sheet metal nut
for thread EN ISO 1478-ST3.5

Teil-Nr. / part no.	013199-0-02	Drawing type	Customer
------------------------	-------------	--------------	----------

Kundenteile-Nr. / customer part no.	-	Blatt / sheet	1 / 1
CAD system & version	ProE WF3	Dateiname / filename	013199-0C00