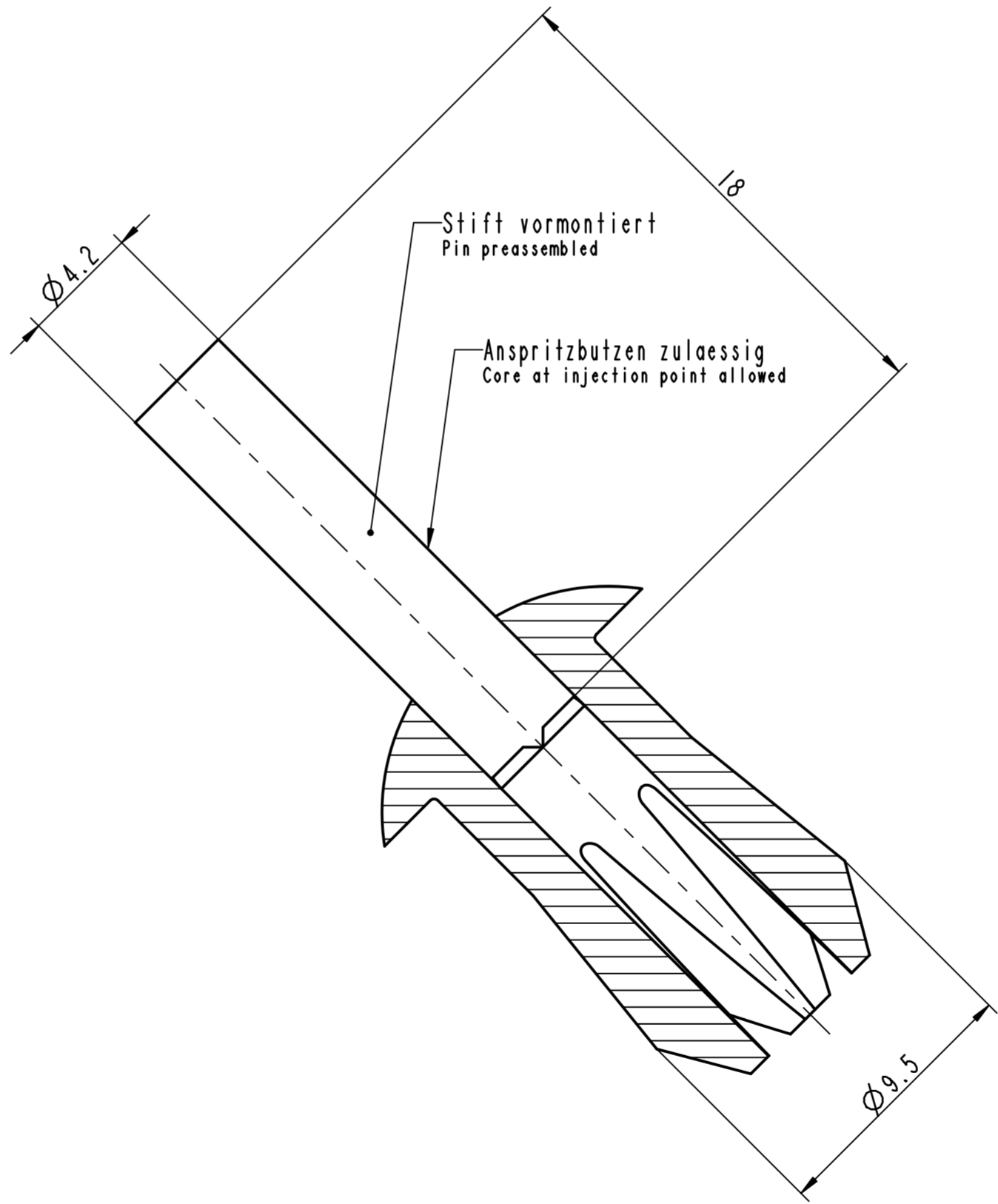
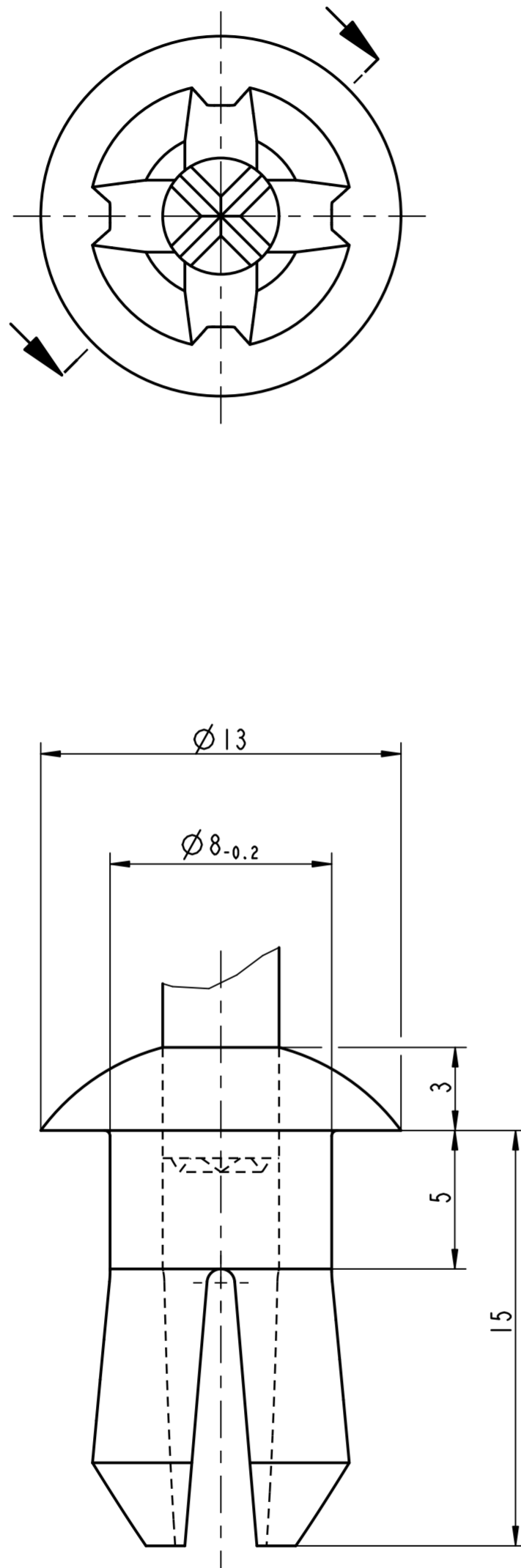
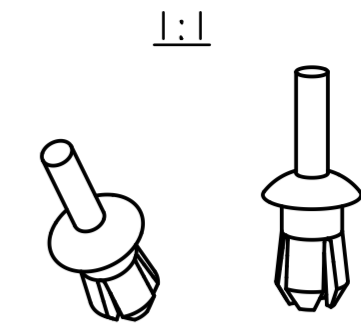


Kennzeichnung : / Identification:  
 Hersteller - Code  
 Mfr. - Code

http://www.cergy-vis.fr  
**[CERGY-VIS]**  
 ET SI ON PARLAIT SERVICE



Bef. -Loch fastening hole $d^{+0.2}$	Bef. -Dicke fastening thickness
Ø 8.0 <sup>+0.1</sup>	5.5
Ø 8.2	7.0
Ø 8.3	8.0
Ø 8.4	9.0
Ø 8.6	10.0

Rev.	Amount/quantity	Description / modification description	Date/date	Name
Aa	-	Zeichnung ueberarbeitet nach AR-Gruppenstandard, Teil unveraendert	06.05.11	Jo

**ARaymond** GmbH & Co. KG  
 Teichstrasse 57  
 Germany - 79511 Loerrach  
 Phone +49 (0) 7621 174-0  
 Fax +49 (0) 7621 174-225

Bei Verstaendnisproblemen beantragen Sie bitte beim Absender die deutsche Fassung vor jeder Anwendung.  
**"CONDITIONS OF USE"**  
 This drawing and all information (the "Drawing") disclosed are the exclusive property of A.Raymond. By using this Drawing the Addressee acknowledges and accepts that this Drawing (1) is covered by A.Raymond' intellectual property rights or know-how and (2) is provided under the following conditions who represent a Deposit Agreement. This Drawing is for Addressee' internal use only limited to its estimation. Without prior written consent of A.Raymond, no permission or rights for any purpose, is hereby granted, such as, without any limitation, (1) the copy, in part or entirely, (2) and/or the presentation, in part or entirely, to any other third party outside the Addressee' company or in the company but with no interest (3) and/or the distribution of the Drawing, in part or entirely, in any medium (4) and/or the creation of any derivative work. In case of breach of these conditions, Addressee shall indemnify A.Raymond from and against all damages (compensatory or consequential), costs, expenses and charges, caused or arising out of or attributable to its willful misconduct, fraud, negligence, infringement of A.Raymond' intellectual property rights. If the Addressee does not accept these conditions, please notify A.Raymond' sender immediately.

Schutzrechte/patent rights vorbehalten / all rights reserved		Classification Code CAF--	
Ersatz fuer/substitute for	017385.C.01 / A / 08.03.2005	Entw.Ref./dev.ref.	Projekt-Nr./project no. 50490-K
Masstab/scale	5:1	Datum/date	06.05.2011
Format	A2	Erstellt von/prepared by	John
Projektion / projection	ALL DIMENSIONS ARE IN MILLIMETERS	Freigegeben/approved	20110511104152
Blechkraefte/mef. thickness DIN EN 10140	-	Volumen/volume (mm <sup>3</sup> )	905
		Gewicht/weight (g)	0.93
Oberfl./finish	-	Oberfl. Code/finish code	-
Werkstoffbehandl./material treatment	-		
Werkstoff/material	PA 12 - halbflexibel PA 12 - semiflexible	Mat. code	3514

Bezeichnung/  
title  
**Spreizniet**  
 plastic rivet

Teil-Nr. / part no.	017385-0-01	schwarz/black	SW	7000
	017385-0-00	farblos/nature	FL	0000
Oberflaeche / Farbe / finish / colour		Oberfl. Code/finish code		
Ausfuhrung / Execution				

Teil-Nr. / part no.	017385-0-00	Drawing type	C:Customer
Kundenteile-Nr. / customer part no.	-	Blatt / sheet	1 / 1
CAD system & version	ProE WF3	Dateiname / filename	017385-0C00