



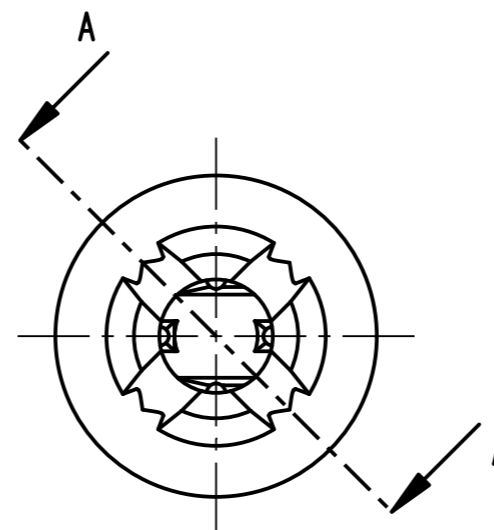
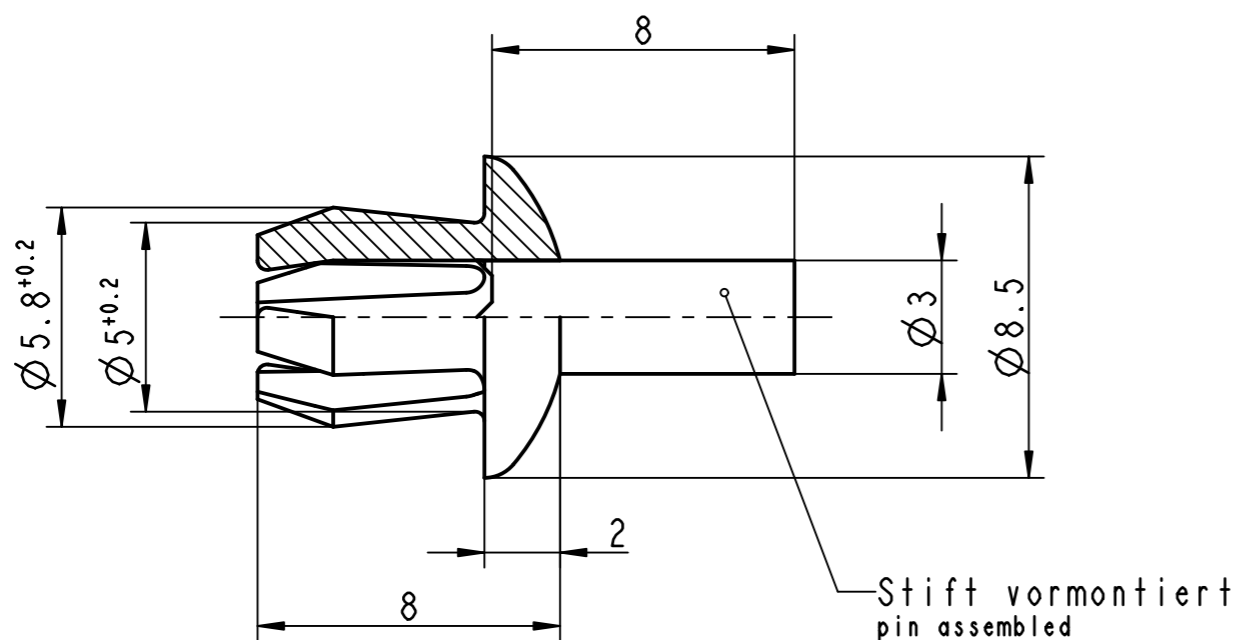
http://www.cergy-vis.fr

**[CERGY-VIS]**

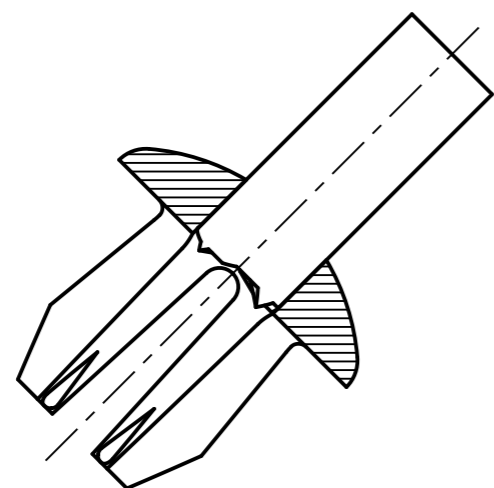
ET SI ON PARLAIT SERVICE

Bef.-Loch	Bef.-Dicke
∅ 5	0.75...1.0
∅ 5.1	2.0
∅ 5.2	3.0

1:1



Schnitt / section A-A



012821-0-01	schwarz black	SW	7000
012821-0-00	farblos nature	FL	0000
Teil-Nr. part no.	Oberfläche / Farbe finish / colour	Oberfl. Code finish code	
Ausführung / Execution			

-	-	-	-	-
-	-	-	-	-
-	-	-	-	-
-	-	-	-	-
-	-	-	-	-
-	-	-	-	-

Ec	-	Zeichnung nach AR- Gruppenstandard ueberarbeitet; Teil unverändert;	10.09.12	fv
Rev.	Anzahl/ quantity	Aenderungsbeschreibung / modification description	Datum/date	Name



Teichstrasse 57  
Germany - 79511 Loerrach  
Phone +49 (0) 7621 174-0  
Fax +49 (0) 7621 174-225

Bei Verstaendnisproblemen beantragen Sie bitte beim Absender die deutsche Fassung vor jeder Anwendung.  
"CONDITIONS OF USE"  
This drawing and all information (the "Drawing") disclosed are the exclusive property of ARaymond. By using this Drawing the Addressee acknowledge and accept that this Drawing (1) is covered by ARaymond' intellectual property rights or know-how and (2) is provided under the following conditions who represent a Deposit Agreement. This Drawing is for Addressee' Internal use only limited to its estimation. Without prior written consent of ARaymond, no permission or rights for any purpose, is hereby granted, such as, without any limitation, (1) the copy, in part or entirely, (2) and/or the presentation, in part or entirely, to any other third party outside the Addressee' company or in the company but with no interest (3) and/or the distribution of the Drawing, in part or entirely, in any medium (4) and/or the creation of any derivative work. In case of breach of these conditions, Addressee shall indemnify ARaymond from and against all damages (compensatory or consequential), costs, expenses and charges, caused or arising out of or attributable to its willful misconduct, fraud, negligence, infringement of ARaymond' intellectual property rights. If the Addressee does not accept these conditions, please notify ARaymond' sender immediately.

Schutzrechte/ patent rights	vorbehalten / all rights reserved		Classification Code	CAF--
Ersatz fuer/ substitutue for	12821-2-AFQ/5/02.06.1998	Entw.Ref./ dev.ref.	Projekt-Nr./ project no.	

Masstab/ scale	Format	Allgemeintoleranz/ general tolerance	Datum/ date	10.09.2012
5:1	A3	±0.25 / ±1'	Erstellt von/ prepared by	Vogeler

Projektion / projection	ALL DIMENSIONS ARE IN MILLIMETERS	Freigegeben/ approved	20120914083731	
	Blechdicke/ mat. thickness DIN EN 10140	Volumen/ volume (mm³)	175	Gewicht/ weight (g) 0.25

Oberfl. / finish	-	Oberfl. Code/ finish code	-
---------------------	---	------------------------------	---

Werkstoffbehandl./ material treatment	konditioniert / conditioned: Wassergehalt / water content: 2 ... 4%		
--	--	--	--

Werkstoff/ material	PA 66 Standard	Mat. code	2502
------------------------	----------------	-----------	------

Benennung/ title	Spreizniet - expansion rivet -		
---------------------	---	--	--

Teil-Nr./ part no.	012821-0-00	Drawing type	C:Customer
-----------------------	-------------	--------------	------------

Kundenteile-Nr. / customer part no.	-	Blatt / sheet	1 / 1
CAD system & version	ProE WF4	Dateiname / filename	012821-0C01