



http://www.cergy-vis.fr

**[CERGY-VIS]**

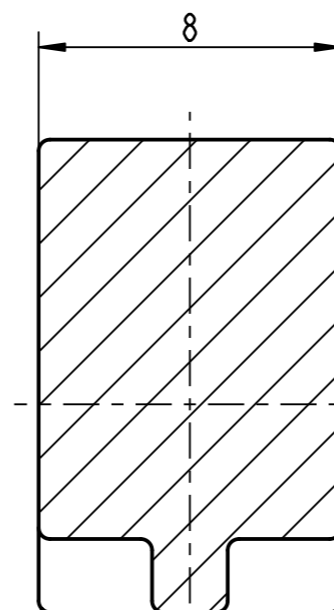
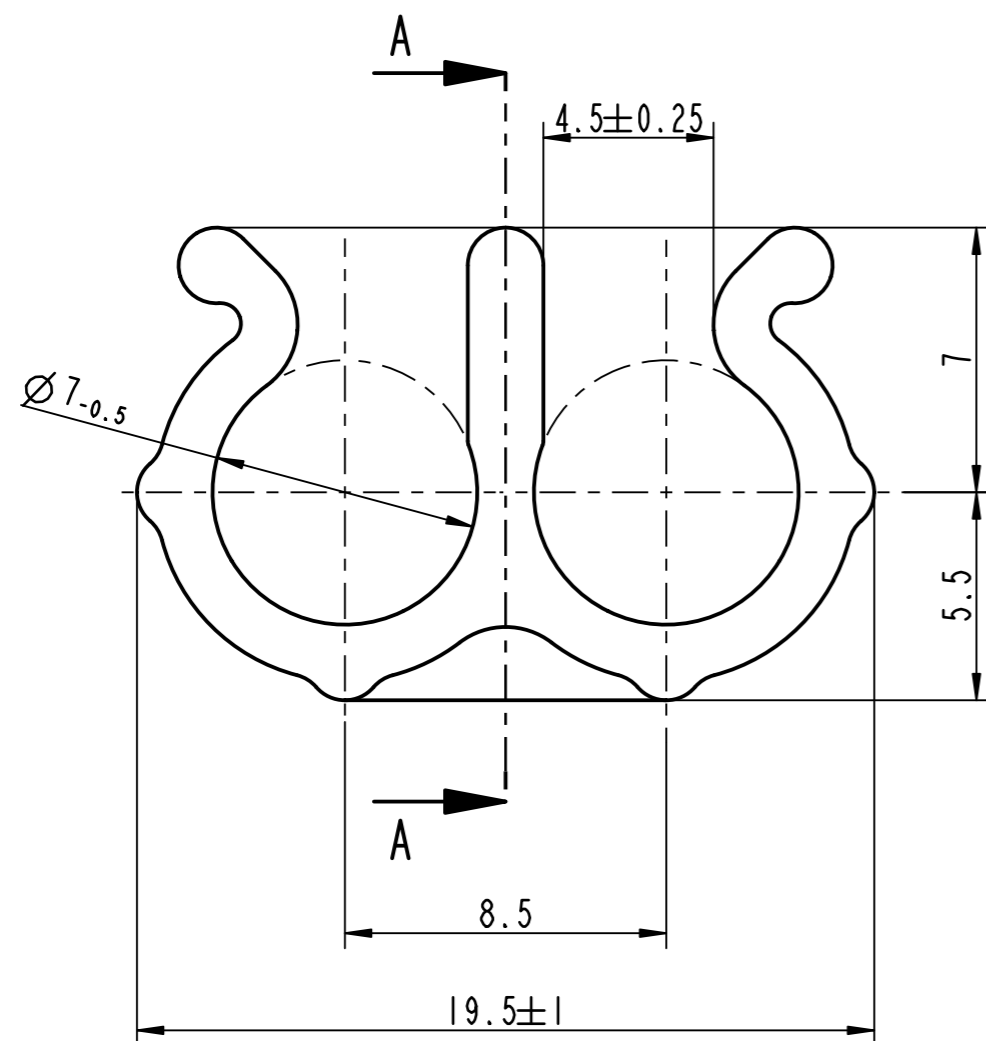
ET SI ON PARLAIT SERVICE

passend fuer Rohr- oder Schlauch-  $\varnothing 7$   
 applicable for pipe- or hose diameter 7



1:1

Schnitt / section A-A



>400 <= 1000	±2
>120 <= 400	±1.5
> 30 <= 120	±1
> 6 <= 30	±0.5
<= 6	±0.25
Winkel / Angle	±3°
Allgemeintoleranzen fuer Nennmasse ohne Toleranz. General tolerances for nominal dimensions without specified tolerance.	

017420-0-03	schwarz black	SW	7000
017420-0-02	farblos nature	FL	0000
Teil-Nr. / part no.	Oberflaeche / Farbe / finish / colour	Oberfl. Code/ finish code	
Ausfuehrung / Execution			

-	-	-	-	-	-
Bb	-	Modell an Lieferzustand angepasst	05.10.11	kl	
Ba	-	Zeichnung ueberarbeitet nach AR-Gruppenstandard, Teil unveraendert	18.02.11	kl	
Rev.	Anzahl/ quantity	Aenderungsbeschreibung / modification description	Datum/date	Name	
<b>ARaymond</b> <sup>®</sup>		Teichstrasse 57 Germany - 79511 Loerrach Phone +49 (0) 7621 174-0 Fax +49 (0) 7621 174-225			
Bei Verstaendnisproblemen beantragen Sie bitte beim Absender die deutsche Fassung vor jeder Anwendung. "CONDITIONS OF USE" This drawing and all information (the "Drawing") disclosed are the exclusive property of A.Raymond. By using this Drawing the Addressee acknowledges and accepts that this Drawing (1) is covered by A.Raymond' Intellectual property rights or know-how and (2) is provided under the following conditions who represent a Deposit Agreement. This Drawing is for Addressee' Internal use only limited to its estimation. Without prior written consent of A.Raymond, no permission or rights for any purpose, is hereby granted, such as, without any limitation, (1) the copy, in part or entirely, (2) and/or the presentation, in part or entirely, to any other third party outside the Addressee' company or in the company but with no interest (3) and/or the distribution of the Drawing, in part or entirely, in any medium (4) and/or the creation of any derivative work. In case of breach of these conditions, Addressee shall indemnify A.Raymond from and against all damages (compensatory or consequential), costs, expenses and charges, caused or arising out of or attributable to its willful misconduct, fraud, negligence, infringement of A.Raymond' Intellectual property rights. If the Addressee does not accept these conditions, please notify A.Raymond' sender immediately.					
Intellectual Property rights vorbehalten / all rights reserved			Classification Code BBA--		
Ersatz fuer/ substitutio for		017420_C_01/2/25.07.2001	Entw.Ref./ dev.ref.		Projekt-Nr./ project no. 38149-K
Masstab/ scale	Format	Allgemeintoleranz/ general tolerance	Datum/ date 18.02.2011		
5:1	A3	siehe Tabelle/see table	Erstellt von/ prepared by Klar		
Projektion / projection		ALL DIMENSIONS ARE IN MILLIMETERS	Freigegeben/ approved 20111005081222		
		Bleedicke/ mat. thickness DIN EN 10140	Volumen/ volume (mm <sup>3</sup> )	652	Gewicht/ weight (g) 0.9
Oberfl. / finish		-	Oberfl. Code/ finish code -		
Werkstoffbehandl./ material treatment		-			
Werkstoff/ material		POM - Standard			Mat. code 5007
Benennung/ title		Doppelkabelschelle  distanceholder for cable			
Teil-Nr. / part no.		017420-0-02		Drawing type C:Customer	
Kundenteile-Nr. / customer part no.		-		Blatt / sheet 1 / 1	
CAD system & version ProE WF3			Dateiname / filename 017420-0C00		