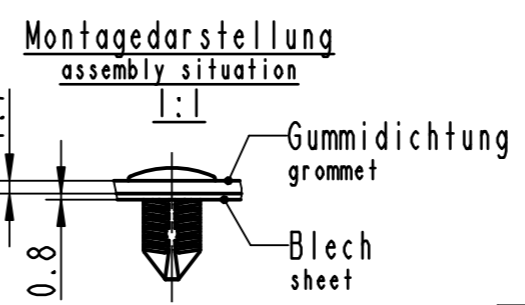
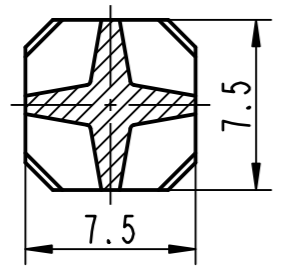
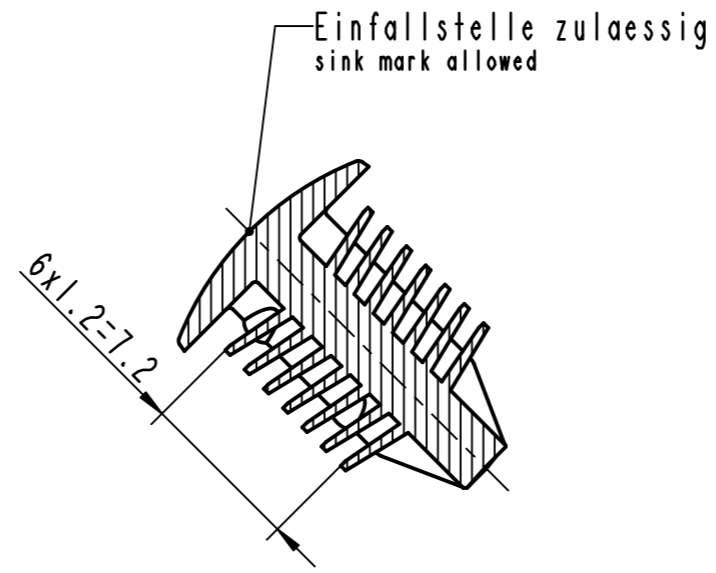
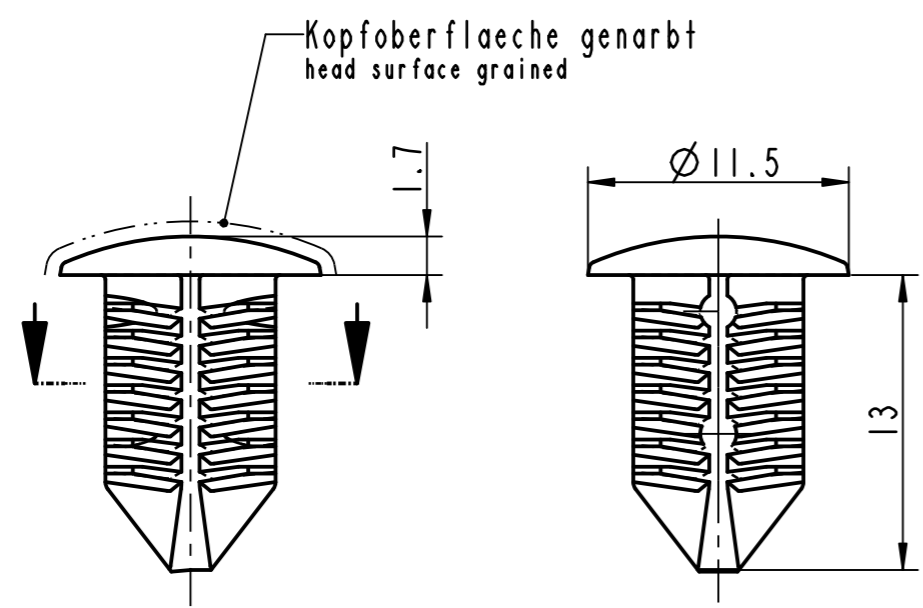
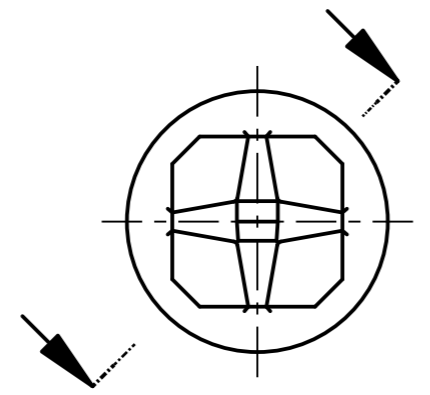
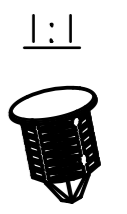


unbemasste Geometrien sind dem 3D-Datensatz zu entnehmen
undimensioned geometries must be taken from the 3D-data



Befest. - Loch = $\varnothing 8^{+0,1}_{-0,2}$
Fastening hole
Befest. - Dicke = 1,25...8,4
Fastening thickness



>400 <= 1000	±2
>120 <= 400	±1.5
> 30 <= 120	±1
> 6 <= 30	±0.5
<= 6	±0.25
Winkel / Angle	±3°

<http://www.cergy-vis.fr>

[CERGY-VIS]

ET SI ON PARLAIT SERVICE

-	-	-	-	-
-	-	-	-	-
-	-	-	-	-
-	-	-	-	-
-	-	-	-	-

Ab	-	Zeichnung ueberarbeitet nach AR-Gruppenstandard, Teil unverändert	08.10.12	Jo
Rev.	Anzahl/ quantity	Aenderungsbeschreibung / modification description	Datum/date	Name

ARaymond®
A RAYMOND GmbH & Co.KG

Teichstrasse 57
Germany - 79511 Loerrach
Phone +49 (0) 7621 174-0
Fax +49 (0) 7621 174-225

Bei Verstaendnisproblemen beantragen Sie bitte beim Absender die deutsche Fassung vor jeder Anwendung.
"CONDITIONS OF USE"
This drawing and all information (the "Drawing") disclosed are the exclusive property of ARaymond. By using this Drawing the Addressee acknowledge and accept that this Drawing (1) is covered by ARaymond' intellectual property rights or know-how and (2) is provided under the following conditions who represent a Deposit Agreement. This Drawing is for Addressee' Internal use only limited to its estimation. Without prior written consent of ARaymond, no permission or rights for any purpose, is hereby granted, such as, without any limitation, (1) the copy, in part or entirely, (2) and/or the presentation, in part or entirely, to any other third party outside the Addressee' company or in the company but with no interest (3) and/or the distribution of the Drawing, in part or entirely, in any medium (4) and/or the creation of any derivative work. In case of breach of these conditions, Addressee shall indemnify ARaymond from and against all damages (compensatory or consequential), costs, expenses and charges, caused or arising out of or attributable to its willful misconduct, fraud, negligence, infringement of ARaymond' intellectual property rights. If the Addressee does not accept these conditions, please notify ARaymond' sender immediately.

Schutzrechte/ patent rights	vorbehalten / all rights reserved		Classification Code	CAAA-
Ersatz fuer/ substitutue for	206987_C.01 / Aa / 13.04.06	Entw.Ref./ dev.ref.	Projekt-Nr./ project no.	53095

Masstab/ scale	Format	Allgemeintoleranz/ general tolerance	Datum/ date	08.10.2012
3:1	A3	siehe Tabelle/see table	Erstellt von/ prepared by	Ruff / John

Projektion / projection	ALL DIMENSIONS ARE IN MILLIMETERS	Freigegeben/ approved	20130308102030
Blechdicke/ mat. thickness DIN EN 10140	-	Volumen/ volume (mm³)	434
Oberfl. / finish	-	Gewicht/ weight (g)	0.5

Oberfl. / finish	-	Oberfl. Code/ finish code	-
---------------------	---	------------------------------	---

Werkstoffbehandl./
material treatment

konditioniert / conditioned
Wassergehalt: water content: 1...3%

Werkstoff/ material	PA 6 - Standard	Mat. code	1000
------------------------	-----------------	-----------	------

Benennung/
title

Stopfen
Plug

Teil-Nr./ part no.	206987-0-00	Drawing type	C:Customer
-----------------------	-------------	--------------	------------

Teil-Nr. / part no.	206987-0-00	Oberflaeche / Farbe / finish / colour	schwarz black	SW	7000	Oberfl. Code/ finish code	
Ausfuehrung / Execution							

Kundenteile-Nr. / customer part no.	-	Blatt / sheet	1 / 1
CAD system & version	ProE WF4	Dateiname / filename	206987-0C00