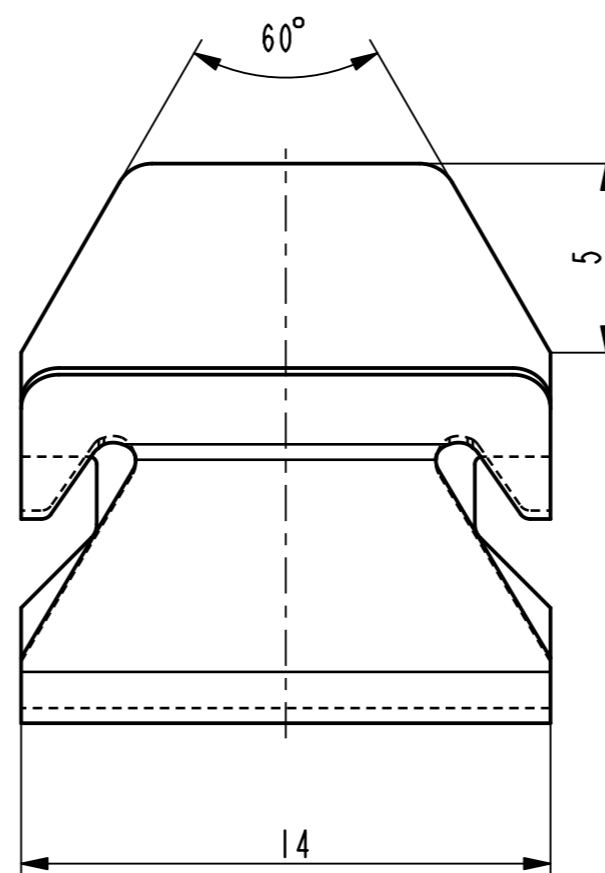
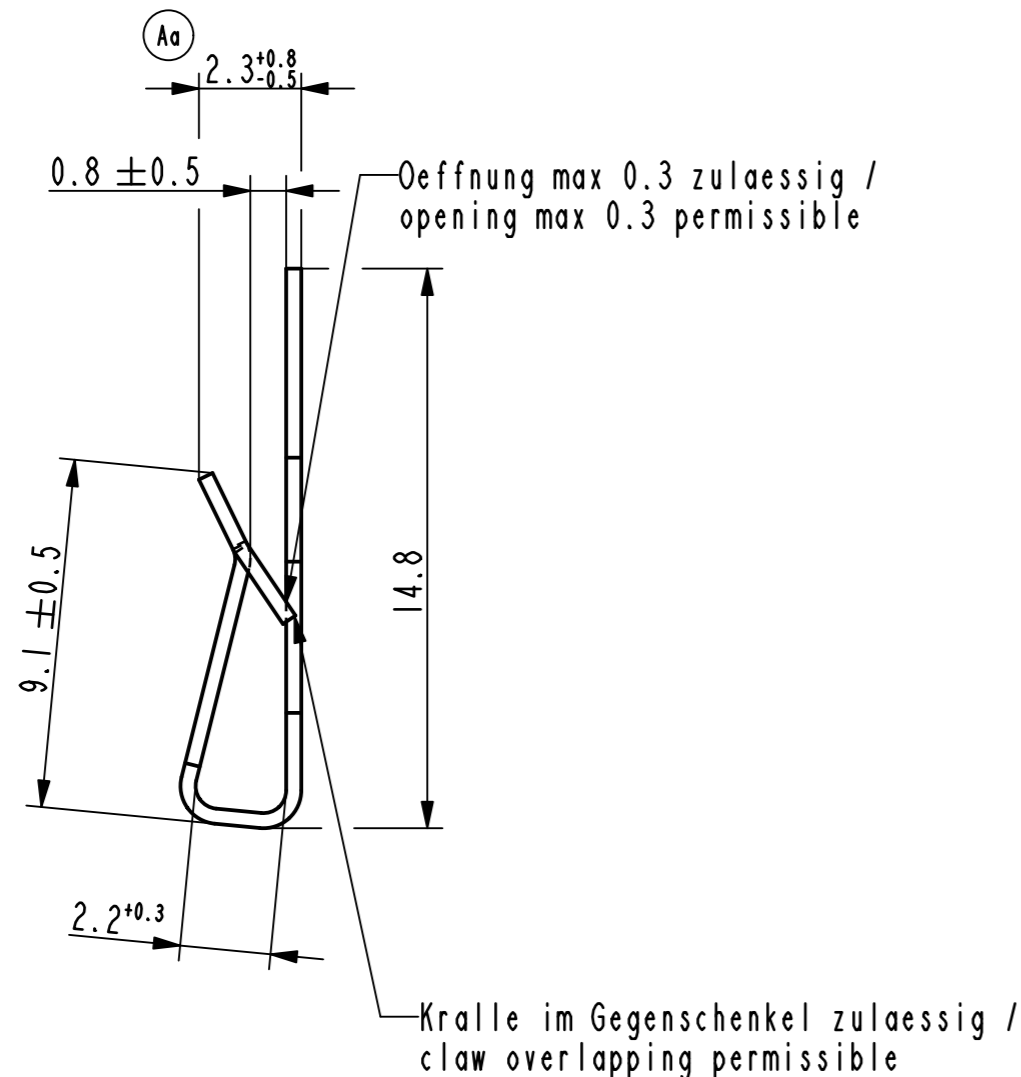


Ⓐ fuer Befestigungsdicke 0.8...1.8 /
 for fastening thickness 0.8...1.8



Isometrische Ansicht /
 isometric view
 2:1



Vor Auslegung einer automatisierten Verarbeitung des Teils
 sollte Ruecksprache mit Fa. A.Raymond gehalten werden.
 Fully automatic processing of the part requires prior
 consultation with A.Raymond GmbH.

-	-	-	-	-
-	-	-	-	-
-	-	-	-	-
-	-	-	-	-
-	-	-	-	-
-	-	-	-	-
-	-	-	-	-
-	-	-	-	-
-	-	-	-	-
-	-	-	-	-

Ab	1x	Oberflaechenfarbe (03) korrigiert schwarz war silber	13.07.11	YH
Aa	3x	Oberflaechenvariante 03 (5456) hinzugefuegt; Mass 2.3+0.8/-0.3	04.07.11	YH
-	-	hinzugefuegt; "fuer Befestigungsdicke 0.8...1.8" aufgenommen	-	-

Rev.	Anzahl/ quantity	Aenderungsbeschreibung / modification description	Datum/date	Name
------	---------------------	--	------------	------



Teichstrasse 57
 Germany - 79511 Loerrach
 Phone +49 (0) 7621 174-0
 Fax +49 (0) 7621 174-225

Bei Verstaendnisproblemen beantragen Sie bitte beim Absender die deutsche Fassung vor jeder Anwendung.
 "CONDITIONS OF USE"
 This drawing and all information (the "Drawing") disclosed are the exclusive property of A.Raymond.
 By using this Drawing the Addressee acknowledges and accepts that this Drawing
 (1) is covered by A.Raymond' intellectual property rights or know-how and
 (2) is provided under the following conditions who represent a Deposit Agreement.
 This Drawing is for Addressee' Internal use only limited to its estimation.
 Without prior written consent of A.Raymond, no permission or rights for any purpose, is hereby granted, such as, without any limitation,
 (1) the copy, in part or entirely
 (2) and/or the presentation, in part or entirely, to any other third party outside the Addressee' company or in the company but with no interest
 (3) and/or the distribution of the Drawing, in part or entirely, in any medium
 (4) and/or the creation of any derivative work.
 In case of breach of these conditions, Addressee shall indemnify A.Raymond from and against all damages (compensatory or consequential),
 costs, expenses and charges, caused or arising out of or attributable to its willful misconduct, fraud, negligence, infringement of
 A.Raymond' intellectual property rights. If the Addressee does not accept these conditions, please notify A.Raymond' sender immediately.

Intellectual property rights	vorbehalten / all rights reserved		Classification code	CGB--
Ersatz fuer/ substitutue for	015435_C_01/A/03.06.2005	Entw.Ref./ dev.ref.	Projekt-Nr./ project no.	72445

Masstab/ scale	Format	Allgemeintoleranz/ general tolerance	Datum/ date	04.07.2011
5:1	A3	$\pm 0.3 / \pm 5^\circ$	Erstellt von/ prepared by	Y.Haizmann

Projektion / projection	ALL DIMENSIONS ARE IN MILLIMETERS	Freigegeben/ approved	20110713091844	
	Blechedicke/ mat. thickness DIN EN 10140	0.40	Volumen/ volume (mm ³)	130.0
			Gewicht/ weight (g)	1.1

Oberfl./ finish	verzinkt / passiviert farblos zinc plated / passivated colourless	Oberfl. Code/ finish code	3250
--------------------	--	------------------------------	------

Werkstoffbehandl./ material treatment	zwischenstufenverguetet / austempered 435 ... 535 HV 5
--	---

Werkstoff/ material	C67S DIN EN 10132-4	Mat. code	1000
------------------------	---------------------	-----------	------

Benennung/
title
 Klammer
 clip

Teil-Nr./ part no.	015435-0-02	Drawing type	C:Customer
-----------------------	-------------	--------------	------------

Ⓐ	Ⓐ	015435-0-03	metallhaltige Korrosionsschutzbeschichtung, Farbe schwarz, GZ metallic corrosion protection coated, colour black, lubricated	5456
		Teil-Nr. / part no.	Oberflaeche / Farbe / finish / colour	Oberfl. Code/ finish code
		Ausfuehrung / Execution		

Kundenteile-Nr. / customer part no.	-	Blatt / sheet	1 / 1
CAD system & version	ProE WF4	Dateiname / filename	015435-0C00