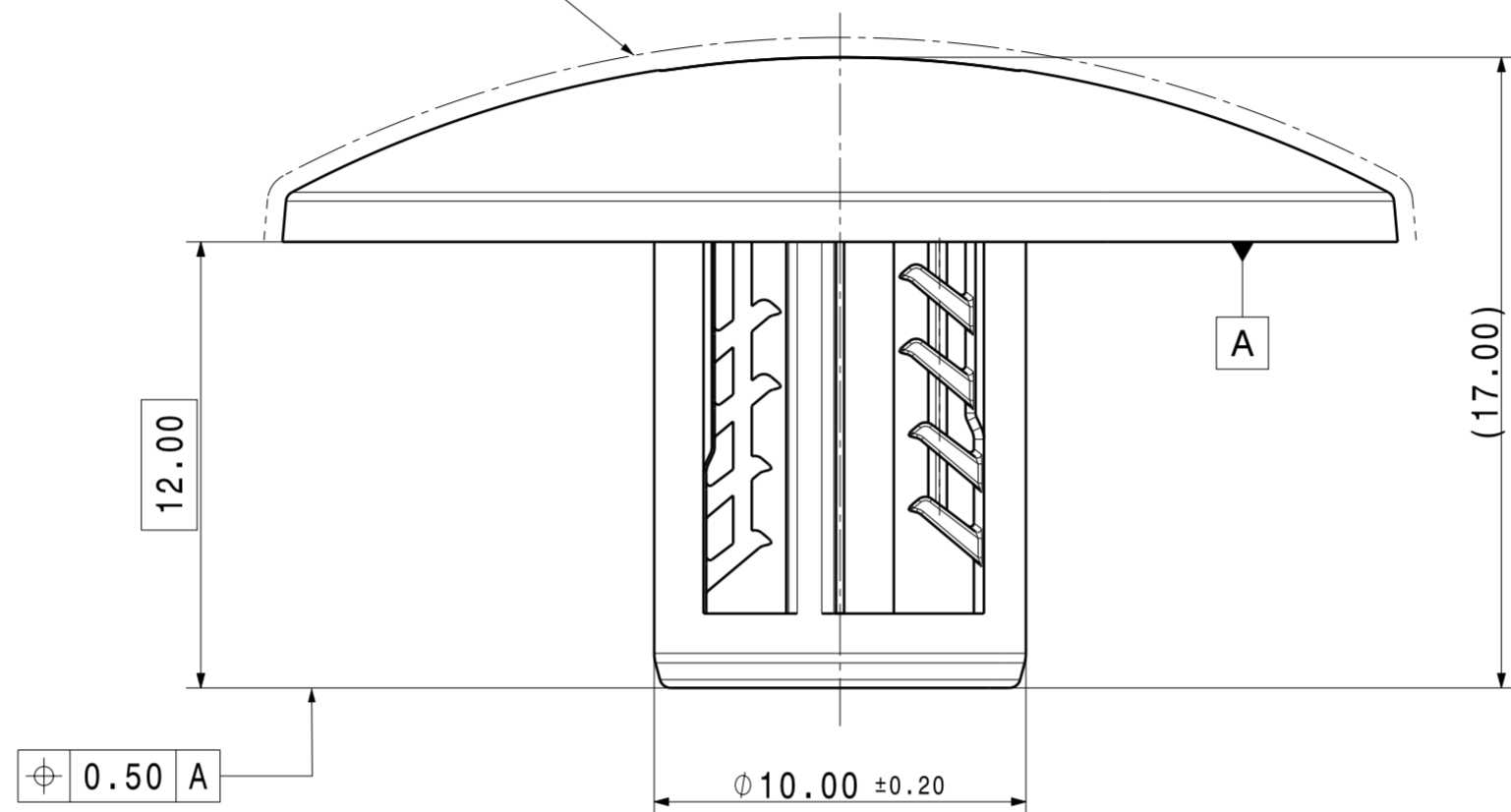


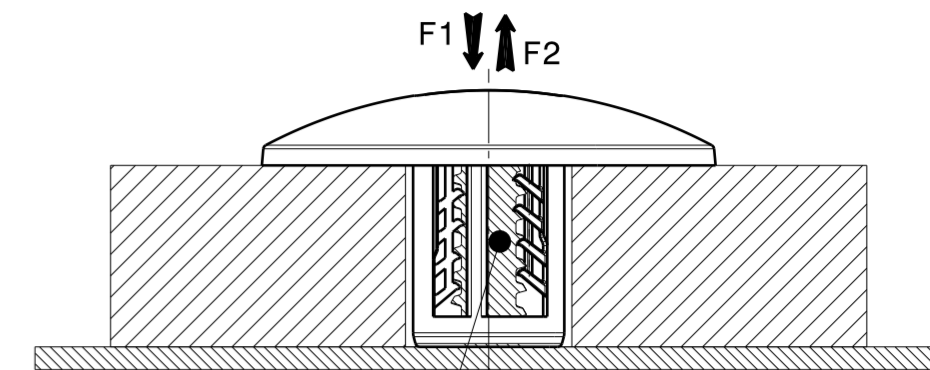
Variant	Matière / Material	Traitement / Material treatments	Finition / Finishes	Poids (g) / Weight (g)
00	PP 1200-20T Noir Exxtral HMU208 100000 Noir	Without Sans	Black Noir	1,4
01	PA4.6 02 Naturel Stanyl TW 341 00001 10821	REPRISE D'HUMIDITE 2% MINI 2% mini of Humidity rework	Braun marron	1,6
02	PP 1200-20T Gris Tropicque Moyen 205283 ET212-7847	Without Sans	Grey Gris	1,4
03	PP 1501-20T Noir Exxtral HMU216 157003	Without Sans	Black Noir	1,4

GRAINAGE CHARMILLE 27
CHARMILLE 27 GRAINING



Une consultation préalable de A.Raymond SARL est nécessaire pour toute mise en place de la pièce en automatique.
Automatic processing of the part requires prior consultation with A.Raymond SARL.

EXEMPLE D'UTILISATION / USE CONDITION
ECHELLE / SCALE: 2:1



GOUJON/STUD: Ø5x14.00mm
OU / OR
VIS/SCREW: M6x14.00mm



Dg	-	UPDATED DRAWING	21.02.12	GPA
REV.	Quant.	Indice / revision description	Date	Name

ARaymond
113 cours Berriat BP 157
France - 38019 Grenoble cedex 1
Tel +33 (0) 4 76 33 49 49
Fax +33 (0) 4 76 78 20 50

Si problème de compréhension, merci de demander la version française à A.Raymond avant toute utilisation.
"CONDITIONS OF USE"
This drawing and all information (the "Drawing") disclosed are the exclusive property of A.Raymond.
By using this Drawing the Addressee acknowledges and accept that this Drawing (1) is covered by A.Raymond intellectual property rights or Know-how and (2) is provided under the following conditions who represent a Deposit Agreement.
This Drawing is for Addressee internal use only limited to its estimation.
Without prior written consent of A.Raymond, no permission or rights for any purpose, is hereby granted, such as, without any limitation, (1) the copy, in part or entirely, (2) and/or the presentation, in part or entirely, to any other third party outside the Addressee company or in the company but with no interest (3) and/or the distribution of the Drawing, in part or entirely, in any medium (4) and/or the creation of any derivative work.
In case of breach of these conditions, Addressee shall indemnify A.Raymond from and against all damages (compensatory or consequential), costs, expenses and charges, caused or arising out of or attributable to its willful misconduct, fraud, negligence, infringement of A.Raymond Intellectual Property rights. If the Addressee does not accept these conditions, please notify A.Raymond sender immediately.

Brevets / Patent rights
Classification code
CFB--

N° Projet / Project No. Origine / Origin
Chef de projet / Project Manager
PICALET.C

Echelle / scale 5:1
Format A2
Tolerance / General tolerance Cf nota
Date 27.01.2003
Realise / Prepared by PAULIN.G

ALL DIMENSIONS ARE IN MILLIMETERS
Approuve / Approved 20120221144336
Epaisseur / Mat. thickness -
Volume (mm³) 1315
Poids / Weight (g) -

Finition / finish
Voir nomenclature
See parts list
Code finition finish code -

Traitement structural / Material treatment
Voir nomenclature
See parts list

Matiere / Material
Voir nomenclature
See parts list
Mat. code -

Libelle / Title
Bouton de fixation
Fastening button

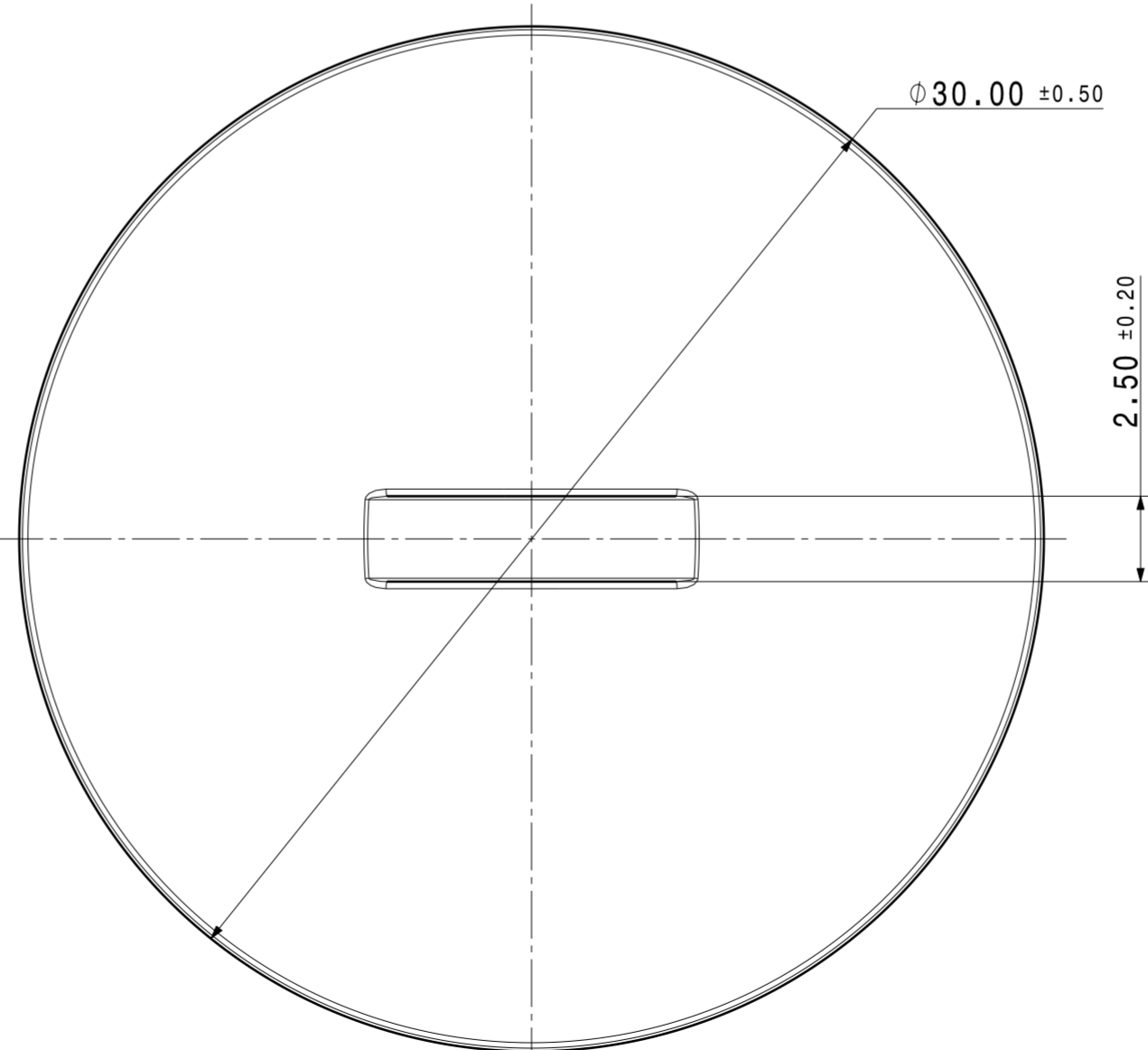
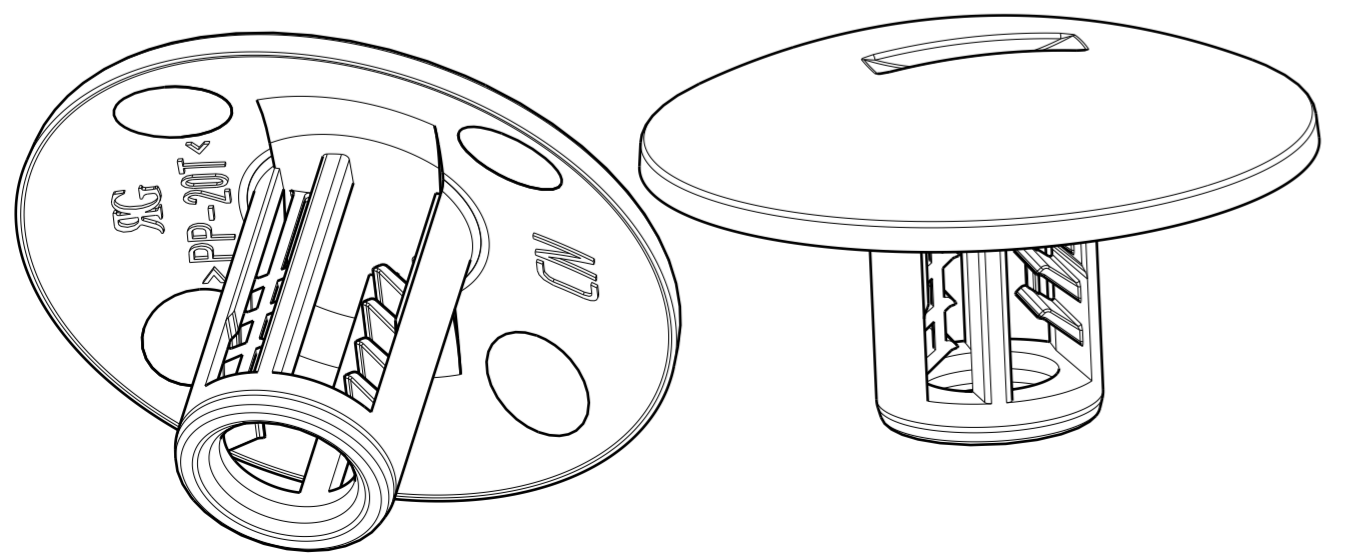
Reference /Part no.
200139-0-00
Drawing type
C:Customer

Ref. client / Customer part no.
Planche / Sheet 1/1

CAD system & version CATIA V5 R19 SP7
Non fichier / File name 200139-0C00

TOLERANCES GENERALES / GENERAL TOLERANCES:
* ISO 8015
* ISO 2768-2-K
* NFT 58000 CATEGORIE 2 CLASSE NORMALE

VUE ISOMETRIQUE / ISOMETRIC VIEW
ECHELLE / SCALE: 2:1



VERIFIER L ECHELLE APRES PHOTOCOPIE / BEWARE SCALE AFTER COPY