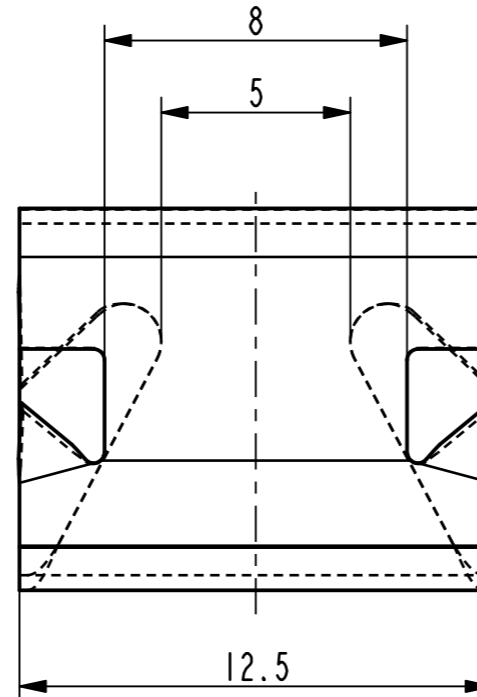
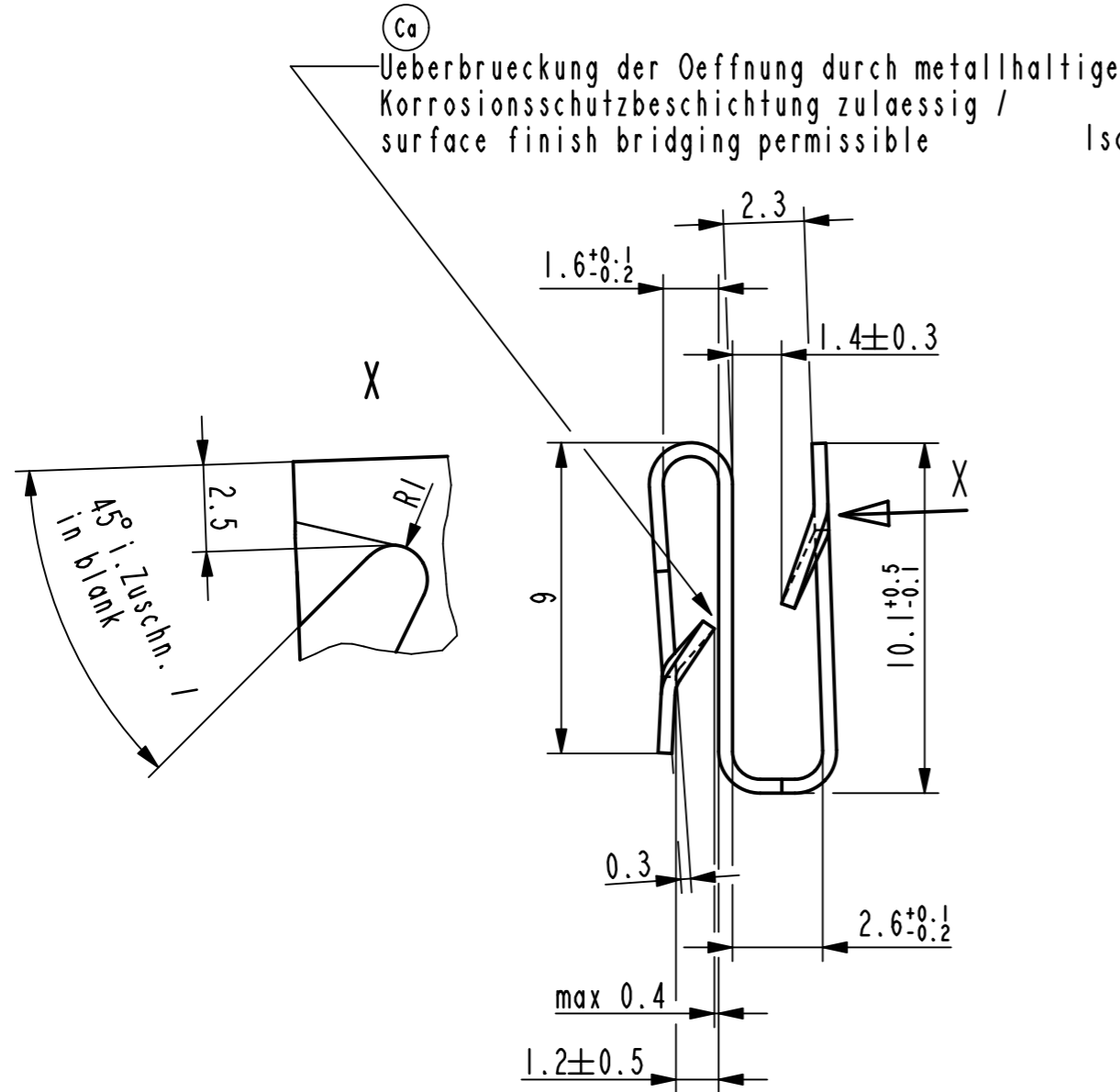


fuer Bef.-Dicke: 2.3 /
 for fastening thickness



fuer Bef.-Dicke: 0.9 /
 for fastening thickness

Isometrische Ansicht /
 isometric view
 2:1



(Cb)	011516-0-08	metallhaltige Korrosionsschutzbeschichtung, Farbe schwarz metallic corrosion protection coated, colour black	5550
(Ca)	011516-0-07	metallhaltige Korrosionsschutzbeschichtung, Farbe silber metallic corrosion protection coated, colour silver	5410
	011516-0-06	verzinkt / passiviert farblos zinc plated / passivated colourless	3250
	011516-0-05	metallhaltige Korrosionsschutzbeschichtung, Farbe schwarz metallic corrosion protection coated, colour black	5451
	011516-0-04	metallhaltige Korrosionsschutzbeschichtung, Farbe silber, GZ metallic corrosion protection coated, colour silver, lubricated	5442
	Teil-Nr. / part no.	Oberflaeche / Farbe / finish / colour	Oberfl. Code/ finish code
Ausfuehrung / Execution			

Vor Auslegung einer automatisierten Verarbeitung des Teils sollte Ruecksprache mit Fa. A.Raymond gehalten werden.
 Fully automatic processing of the part requires prior consultation with A.Raymond GmbH.

-	-	-	-	-
-	-	-	-	-
-	-	-	-	-
-	-	-	-	-
-	-	-	-	-
-	-	-	-	-
-	-	-	-	-
-	-	-	-	-
-	-	-	-	-
-	-	-	-	-

Cb	1x	Oberflaechenvariante hinzugefuegt	20.09.11	Ru
Ca	2x	Oberflaechenvariante 001 (3000) und 002 (3300) entfernt,	19.01.11	Ru
-	-	Oberflaechenvariante 007 (5410) hinzug., Bemerkung hinzug.	-	-

Rev.	Anzahl/ quantity	Aenderungsbearbeitung / modification description	Datum/date	Name
------	---------------------	--	------------	------

ARaymond®
 A RAYMOND GmbH & Co.KG
 Teichstrasse 57
 Germany - 79511 Loerrach
 Phone +49 (0) 7621 174-0
 Fax +49 (0) 7621 174-225

Bei Verstaendnisproblemen beantragen Sie bitte beim Absender die deutsche Fassung vor jeder Anwendung.
 "CONDITIONS OF USE"
 This drawing and all information (the "Drawing") disclosed are the exclusive property of A.Raymond.
 By using this Drawing the Addressee acknowledge and accept that this Drawing (1) is covered by A.Raymond' Intellectual property rights or know-how and (2) is provided under the following conditions who represent a Deposit Agreement. This Drawing is for Addressee' Internal use only limited to its estimation. Without prior written consent of A.Raymond, no permission or rights for any purpose, is hereby granted, such as, without any limitation, (1) the copy, in part or entirely, (2) and/or the presentation, in part or entirely, to any other third party outside the Addressee' company or in the company but with no interest (3) and/or the distribution of the Drawing, in part or entirely, in any medium (4) and/or the creation of any derivative work. In case of breach of these conditions, Addressee shall indemnify A.Raymond from and against all damages (compensatory or consequential), costs, expenses and charges, caused or arising out of or attributable to its willful misconduct, fraud, negligence, infringement of A.Raymond' Intellectual property rights. If the Addressee does not accept these conditions, please notify A.Raymond' sender immediately.

Intellectual property rights	vorbehalten / all rights reserved		Classification code	CCC--
Ersatz fuer/ substitut for	011516_C_01/C/01.12.2005	Entw.Ref./ dev.ref.	Projekt-Nr./ project no.	
Masstab/ scale	5:1	Allgemeintoleranz/ general tolerance	Datum/ date	19.01.2011
Format	A3	Erstellt von/ prepared by	Ruzicka	
Projektion / projection	ALL DIMENSIONS ARE IN MILLIMETERS	Freigegeben/ approved	20110920082615	
	Blechedicke/ mat. thickness DIN EN 10140	0.40	Volumen/ volume (mm³)	142.1
			Gewicht/ weight (g)	1.2

Oberfl. / finish	phosphatiert / impraegniert phosphated / oiled	Oberfl. Code/ finish code	5100
---------------------	---	------------------------------	------

Werkstoffbehandl./ material treatment	zwischenstufenverguetet / austempered 435 ... 535 HV 5
--	---

Werkstoff/ material	C67S DIN EN 10132-4	Mat. code	1000
------------------------	---------------------	-----------	------

Benennung/ title	Doppel-U-Klammer edge clip		
---------------------	-------------------------------	--	--

Teil-Nr. / part no.	011516-0-03	Drawing type	C:Customer
------------------------	-------------	--------------	------------

Kundenteile-Nr. / customer part no.	-	Blatt / sheet	1 / 1
CAD system & version	ProE WF4	Dateiname / filename	011516-0C00