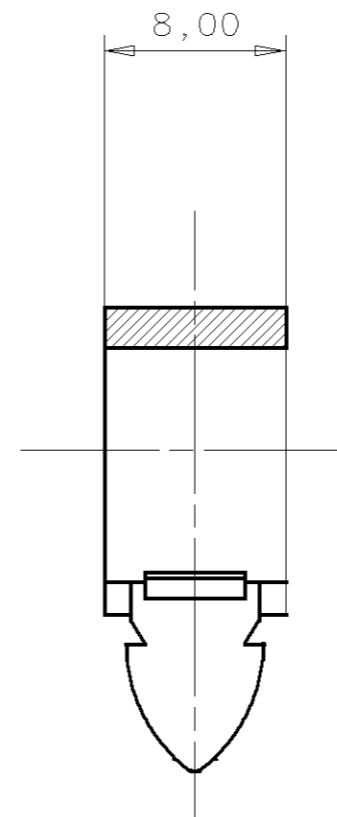
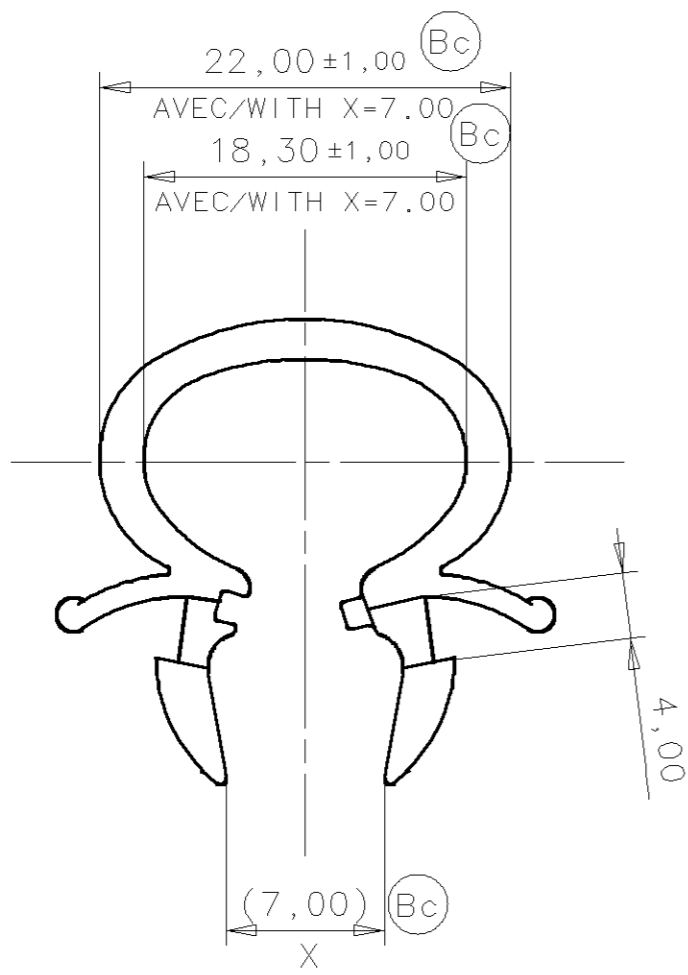
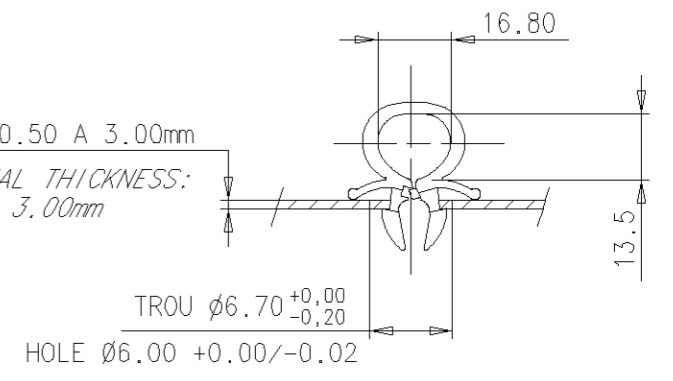


PIECES	MATIERE	TRAITEMENT	FINITION
054170.000	PA 66 02	REPRISE D'HUMIDITE 2% MINI - 2% mini of Humidity rework	Noir - Black
054170.001	PA 66 02	REPRISE D'HUMIDITE 2% MINI - 2% mini of Humidity rework	Gris Foncé - Dark Grey
054170.002	PA 66 02	REPRISE D'HUMIDITE 2% MINI - 2% mini of Humidity rework	Gris - Gray
054170.003	PA 66.12	SANS - Without	Noir - Black

CONDITION D'UTILISATION ECHELLE: 1:1
USE CONDITION SCALE: 1:1



TOLE EP: 0.50 A 3.00mm
SHEETMETAL THICKNESS:
0.50 TO 3.00mm



VERIFIER L ECHELLE APRES PHOTOCOPIE / BEWARE SCALE AFTER COPY

IND	Nb DIM	DESCRIPTIONS / DESIGNATIONS	DATE	VISAS
Bc	03	UPDATED DRAWING	19/05/10	FA
Bb	--	MISE A JOUR PLAN / B.E.D	24-04-09	B V
Ba		MISE A JOUR CAO	13/11/08	FA

If the addressee does not accept these conditions, please notify A.Raymond sender immediately.
Si problème de compréhension, merci de demander la version française à A.Raymond avant toute utilisation.

This drawing and all information (the "Drawing") disclosed are the exclusive property of A.Raymond. By using this Drawing the Addressee acknowledges and accepts that this Drawing (1) is covered by A.Raymond intellectual property rights or know-how, and, (1) is provided under the following conditions who represent a Deposit Agreement. This Drawing is for Addressee' internal use only limited to its estimation. Without prior written consent of A.Raymond, no permission or rights for any purpose, is hereby granted, such as, without any limitation, (1) the copy, in part or entirely (2) and/or the presentation, in part or entirely, to any other third party outside the Addressee' company or in the company but with no interest (3) and/or the distribution of the Drawing, in part or entirely, in any medium (4) and/or the creation of any derivative work. In case of breach of these conditions, Addressee shall indemnify A.Raymond from and against all damages (compensatory or consequential), costs, expenses and charges, caused or arising out of or attributable to its willful misconduct, fraud, negligence, infringement of A.Raymond' Intellectual Property rights.

FORMAT	SCALE/ECH	TH/EP (mm)	VOL (mm ³)	WEIGHT/POIDS (g)	SHEET/PLANCHE	TOLERANCE dimension / angle	DATE
A3	ECH: 3:1				1/1	± 0.50 ± 5.0	25/09/1980

SURFACE TREATMENT OR COLOR / TRAITEMENT DE SURFACE OU COULEUR:

CF NOMENCLATURE	ACHIEVED/REALISE: VIRGONA B
MATERIAL TREATMENT / TRAITEMENT STRUCTURAL:	VISA:
CF NOMENCLATURE	
MATERIAL / MATIERE:	APPROVED/APPROUVE: AILHAS F
CF NOMENCLATURE	VISA:
TITLE / LIBELLE: AGRAFE DE GAINE A CRAN DE BLOCAGE PIPE HOLDER WITH ENDSTOP BLOCKER	PATENTS / BREVETS: SDGG N°2424431

CUSTOMER DATA / REF. CLIENT:	
NUMBER / NUMERO: 054170 .000	

I-Deas MS10 CAD FILE DO NOT MODIFY / PLAN REALISE EN CAO I-Deas MS10 NE PAS MODIFIER MANUELLEMENT

<http://www.cergy-vis.fr>
[CERGY-VIS]
 ET SI ON PARLAIT SERVICE