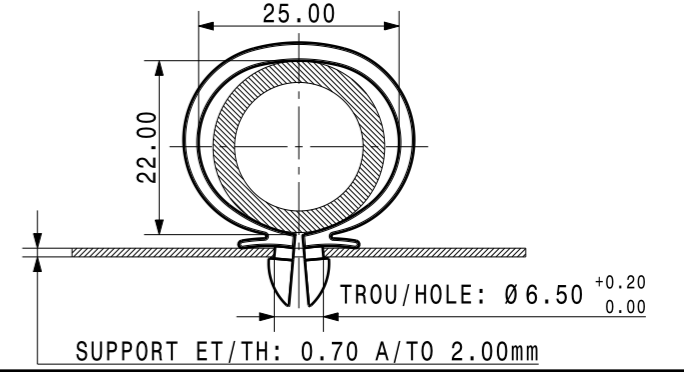


Une consultation préalable de A.Raymond SARL est nécessaire pour toute mise en place de la pièce en automatique.
Automatic processing of the part requires prior consultation with A.Raymond SARL.

EXEMPLE D'UTILISATION / USE CONDITION

ECHELLE / SCALE: 1:1



113 cours Berriat BP 157
France - 38019 Grenoble cedex 1
Tel +33 (0) 4 76 33 49 49
Fax +33 (0) 4 76 78 20 50

Si problème de compréhension, merci de demander la version française à ARaymond avant toute utilisation.
"CONDITIONS OF USE"
This drawing and all information (the "Drawings") disclosed are the exclusive property of A.Raymond. By using this Drawing the Addressee acknowledges and accepts that this Drawing (1) is covered by A.Raymond intellectual property rights or know-how and (2) is provided under the following conditions which represent a Deposit Agreement. This Drawing is for Addressee internal use only limited to its estimation. Without prior written consent of A.Raymond, no permission or rights for any purpose, is hereby granted, such as, without any limitation, (1) the copy, in part or entirely (2) and/or the presentation, in part or entirely, to any other third party outside the Addressee company or in the company but with no interest (3) and/or the distribution of the Drawings, in part or entirely, in any medium (4) and/or the creation of any derivative work. In case of breach of these conditions, Addressee shall indemnify A.Raymond from and against all damages (compensatory or consequential), costs, expenses and charges, caused or arising out of or attributable to its willful misconduct, fraud, negligence, infringement of A.Raymond Intellectual Property rights. If the Addressee does not accept these conditions, please notify A.Raymond sender immediately.

Brevets / Patent rights		Classification code BADA-	
N° Projet / Project No.	Origine / Origin	Chef de projet / Project Manager PAULIN.G	
Echelle / scale 3:1	Format A3	Tolerance / General tolerance Dimension Angle ± 0.50 ± 5.00°	Date
ALL DIMENSIONS ARE IN MILLIMETERS		Realise / Prepared by PAULIN.G	
Epaissieur / Mat. thickness -		Volume (mm³) 1475	Poids / Weight (g) 1,7

Finition / finish
See parts list
Voir tableau

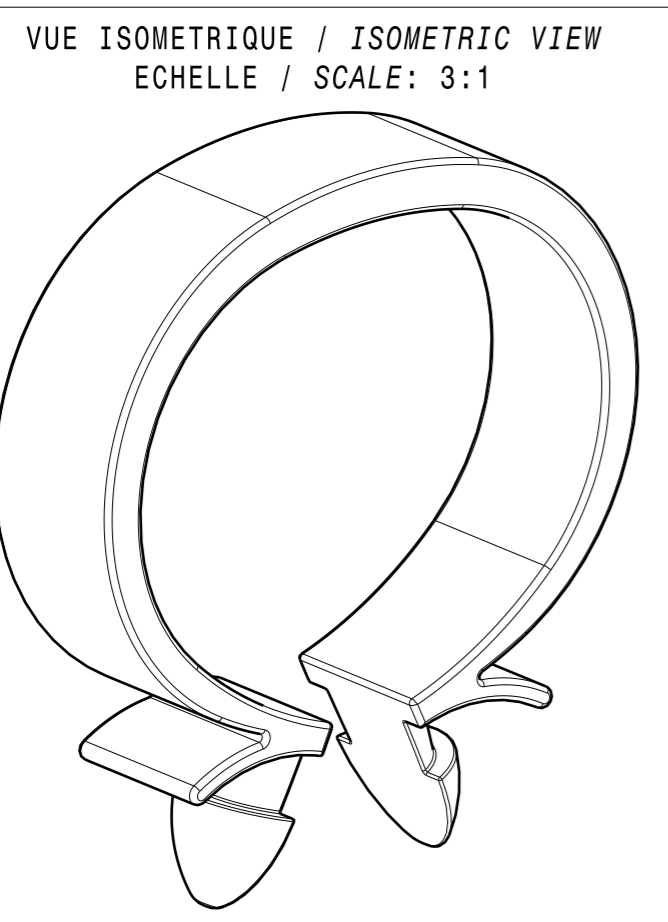
Traitement structural / Material treatment
REPRISE D'HUMIDITE 2% MINI
2% mini of Humidity rework

Matiere / Material
See parts list
Voir tableau

Libelle / Title
Support faisceau
Beam fastener

Reference / Part no.
053490-0-00

Ref. client / Customer part no.
Drawing type C-Customer
Planche / Sheet 1/1
CAD system & version CATIA V5 R19 SP9
Nom fichier / File name 053490-0C00



Variant	Matière / Material	Finition / Finishes
00	PA 66 H BR Ultramid A4HK	Noir Black
01	PA 6 NC Radilon S HS 100 P Nat	Noir Black
02	PA 6 NC Radilon S HS 100 P Nat	Noir Black

REV.	Quant.	Indice / revision description	Date	Name
Eg	-	UPDATED DRAWING	18.06.13	GPA
Ee	-	UPDATED VARIANT 02 / MISE A JOUR VARIANTE 02	27.03.13	GPA
Ed	-	UPDATED DRAWING	14.11.12	GPA

VERIFIER L ECHELLE APRES PHOTOCOPIE / BEWARE SCALE AFTER COPY