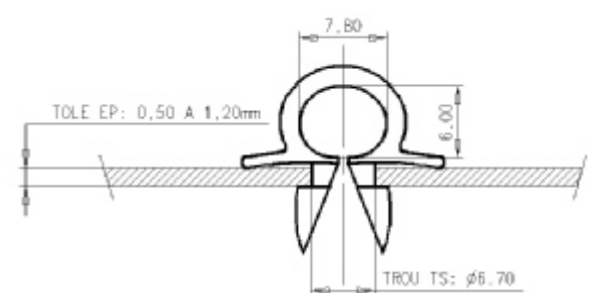


EXEMPLE D'UTILISATION / USE CONDITION
ECHELLE / SCALE: 2:1



113 cours Berriat BP 157
France - 38019 Grenoble cedex 1
Tel +33 (0) 4 76 33 49 49
Fax +33 (0) 4 76 78 20 50

Si problème de compréhension, merci de demander la version française à ARaymond avant toute utilisation.
"CONDITIONS OF USE"
This drawing and all information (the "Drawings") disclosed are the exclusive property of A.Raymond.
By using this Drawing the Addressee acknowledges and accepts that this Drawing (1) is covered by A.Raymond intellectual property rights or know-how and (2) is provided under the following conditions who represent a Deposit Agreement. This Drawing is for Addressee internal use only limited to its estimation. Without prior written consent of A.Raymond, no permission or rights for any purpose, is hereby granted, such as, without any limitation, (1) the copy, in part or entirely (2) and/or the presentation, in part or entirely, to any other third party outside the Addressee company or in the company but with no interest (3) and/or the distribution of the Drawings, in part or entirely, in any medium (4) and/or the creation of any derivative work.
In case of breach of these conditions, Addressee shall indemnify A.Raymond from and against all damages (compensatory or consequential), costs, expenses and charges, caused or arising out of or attributable to its willful misconduct, fraud, negligence, infringement of A.Raymond Intellectual Property rights. If the Addressee does not accept these conditions, please notify A.Raymond sender immediately.

Brevets / Patent rights		Classification code BADA-	
N° Projet / Project No.	Origine / Origin	Chef de projet / Project Manager PAULIN.G	
Echelle / scale 5:1	Format A3	Tolerance / General tolerance Dimension Angle ± 0.30 ± 5.00°	Date 05.10.1978
		ALL DIMENSIONS ARE IN MILLIMETERS	Realise / Prepared by PAULIN.G
Epaisseur / Mat. thickness -		Volume (mm³) 523,3	Poids / Weight (g) 0,6

Finition / finish Voir nomenclature See parts list
Code finition finish code -

Traitement structural / Material treatment REPRISE D'HUMIDITE 2% MINI 2% mini of Humidity rework

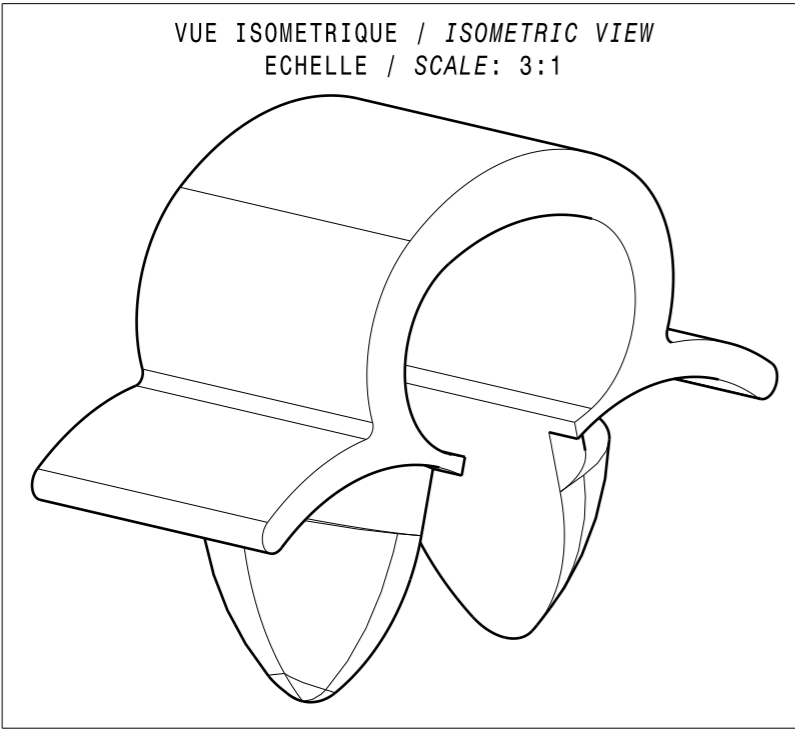
Matiere / Material PA 6 NC Ultramid B3S NC
Mat. code -

Libelle / Title
**Produit spécifique
Agrafe de gaine
Specific part
Clip sheath**

Reference / Part no. **053082-0-01**
Drawing type C:Customer

Ref. client / Customer part no.
CAD system & version CATIA V5 R19 SP9
Nom fichier / File name 053082-0C01
Planche / Sheet 1/1

<http://www.cergy-vis.fr>
[CERGY-VIS]
ET SI ON PARLAIT SERVICE



Variant	Finition / Finishes
01	Naturel Natural
02	Noir Black
03	Naturel Natural

Hc	-	UPDATED DRAWING	22.08.12	GPA
REV.	Quant.	Indice / revision description	Date	Name

VERIFIER L ECHELLE APRES PHOTOCOPIE / BEWARE SCALE AFTER COPY

4
3
2
1

4
3
2
1

H G F E D C B A