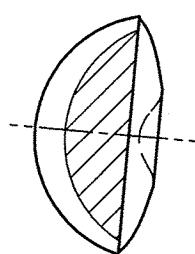
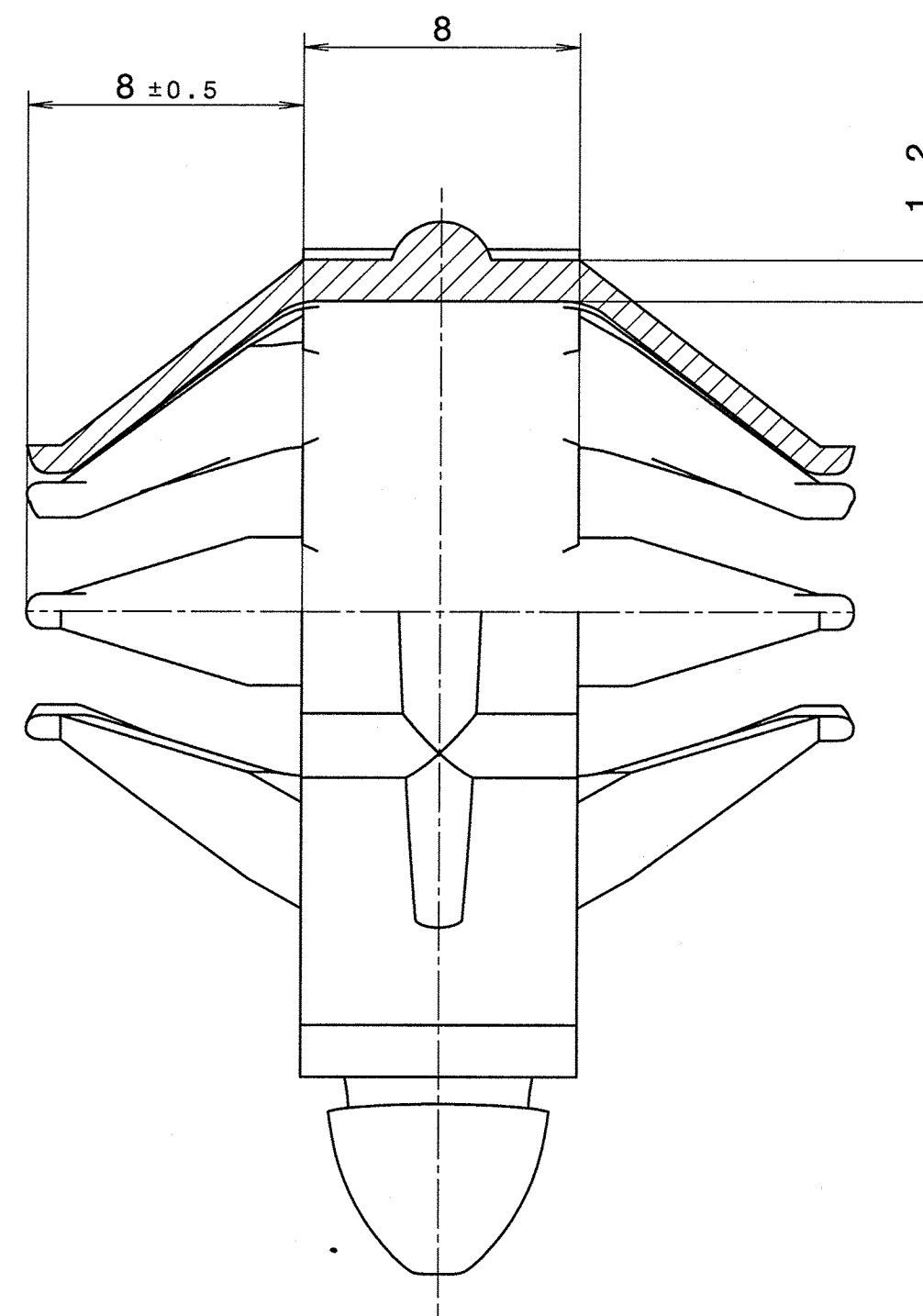


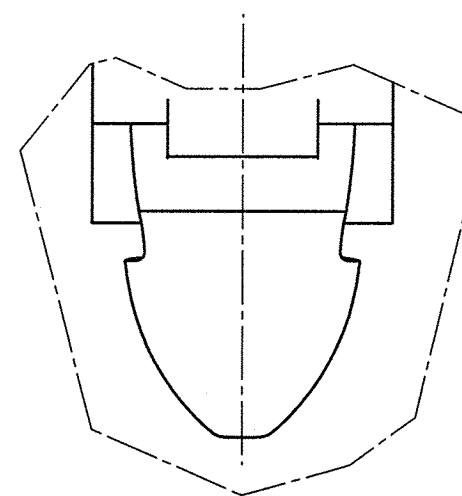
Schnitt / section A-A



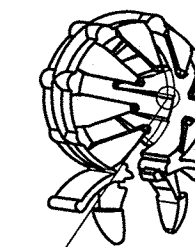
Schnitt / section B-B



Ansicht/view X



Isometrische Ansicht
 Maßstab: 1:1



passend fuer Ø6 ... Ø16
 applicable for diameter 6 ... 16

Befest. - Loch = Ø6,5^{+0.2}
 Fastening hole
 Befest. - Dicke = 0,7 . . . 3
 Fastening thickness

Da	-	Indexreform / SAP - keine Teileänderung	15.06.07	Sp	Sp
Ind.	konst. vor / hor. offen	Beschreibung / Description	Datum/Date	Name	
Änderungen / Modifications					
		A Raymond <small>RAYMOND & CO. KG</small>			
Format DIN A2 SPEZIALBEFESTIGUNGSSYSTEME WELTWEIT / ENGINEERED FASTENERS WORLDWIDE					
Bei Verständnisproblemen beantragen Sie bitte beim Absender die deutsche Fassung vor jeder Anwendung.					
"CONDITIONS OF USE" This drawing and all information (the "Drawing") disclosed are the exclusive property of A. Raymond. By using this drawing the addressee acknowledges and accepts that this drawing (1) is covered by A. Raymond intellectual property rights or know-how and (2) is provided under the following conditions who represent a deposit agreement. This drawing is for addressee internal use only limited to its estimation. Without prior written consent of A. Raymond, no permission or rights for any purpose, is hereby granted, such as, without any limitation (1) the copy, in part or entirely and/or (2) the presentation, in part or entirely, to any other third party outside the addressee company or in the company but with no interest (3) and/or the distribution of the drawing, in part or entirely, in any medium (4) and/or the creation of any derivative work. In case of breach of these conditions, addressee shall indemnify A. Raymond from and against all damages (compensatory or consequential), costs, expenses and charges, caused or arising out of or attributable to its willful misconduct, fraud, negligence, infringement of A. Raymond intellectual property rights. If the addressee does not accept these conditions, please notify A. Raymond sender immediately.					
Dateiname / Filename: 014767_C_01					
Ersatz fuer / Substitute for: 14 767- 1 Index 2		Proj.-Nr. / Proj.-No.: vom 18.04.1985	-K	RASCH- Code	BADA-
Schutzrechte / Patent rights: DBP/6		Vol. (mm)	-----	Gewicht / Weight (g)	-----
Gepr. / App.	F.-gepr. / Produktion	Q.-gepr. / Quality	S.-gepr. / Patent app.		
Maßstab / Scale: 5:1		Allgeme. Tol. wenn nicht anders angegeben / General tol. unless otherwise specified: 150 DIN 16 901 / ±2°	Datum / Date: 15.06.2007	Bez. / Drawn: Schnurpfeil	
Oberfl. Behandlg. / Finish: ---		Kennzahl / Code number: ---		Blechdicke / Mat. thickness: ---	
Herstoffbehandlg. / Material treatment: ---		Blechdicke / Mat. thickness: ---		Herstoff / Material: ---	
Herstoff / Material: PP - Homopolymer wstab.		Wst. -Code / Code number: 4540			
Benennung / Partname: Kabelschelle					
014767 000		schwarz black	SW	7001	
Teil-Nummer / Part-no.		Oberflaeche / Farbe / Finish / colour	Kennzahl / Code number		
Ausfuehrung / Execution					
-CAD-CATIA-V5R14					
Format: DIN A2		-Zeichnung=DIN A		Env: RAYMOND_B14SP3	
Dir: V:\SchnurpfeilM\RAY\Serie					