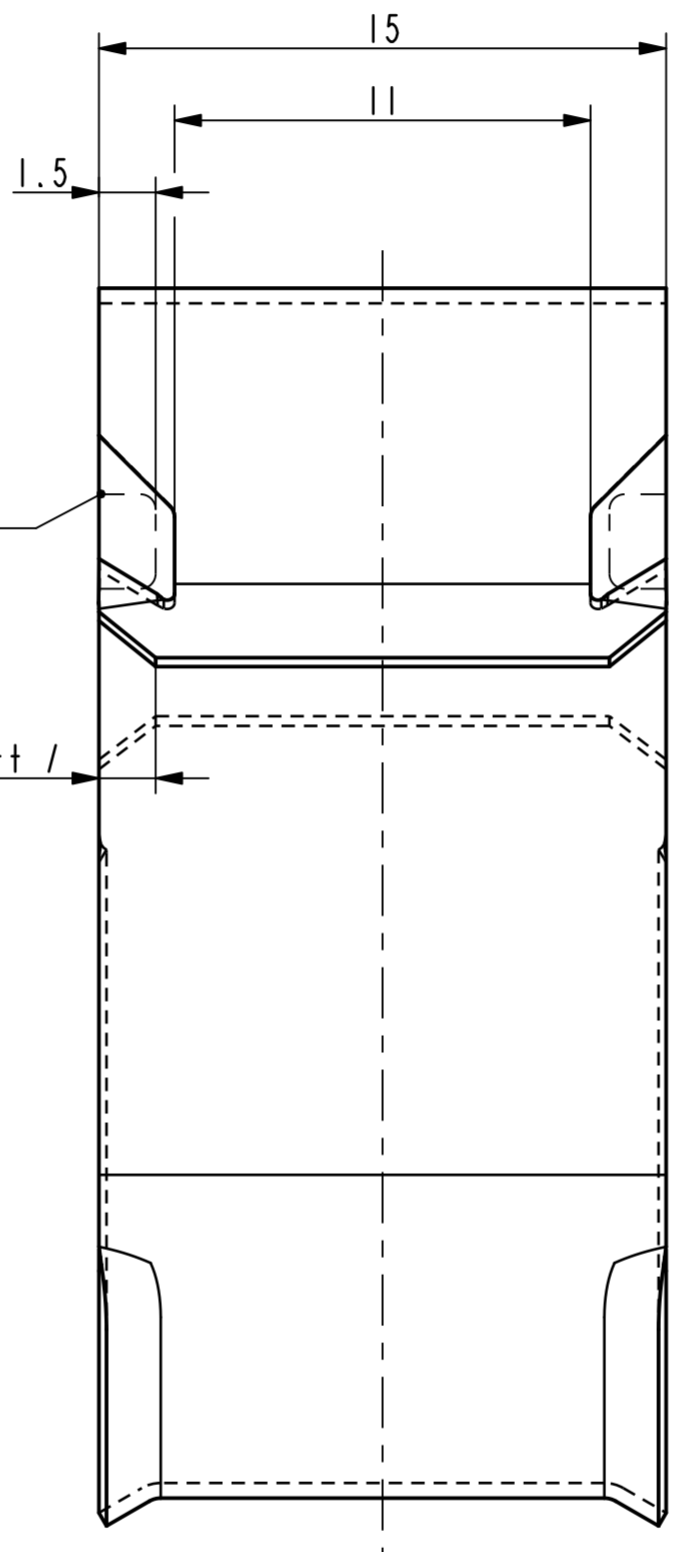
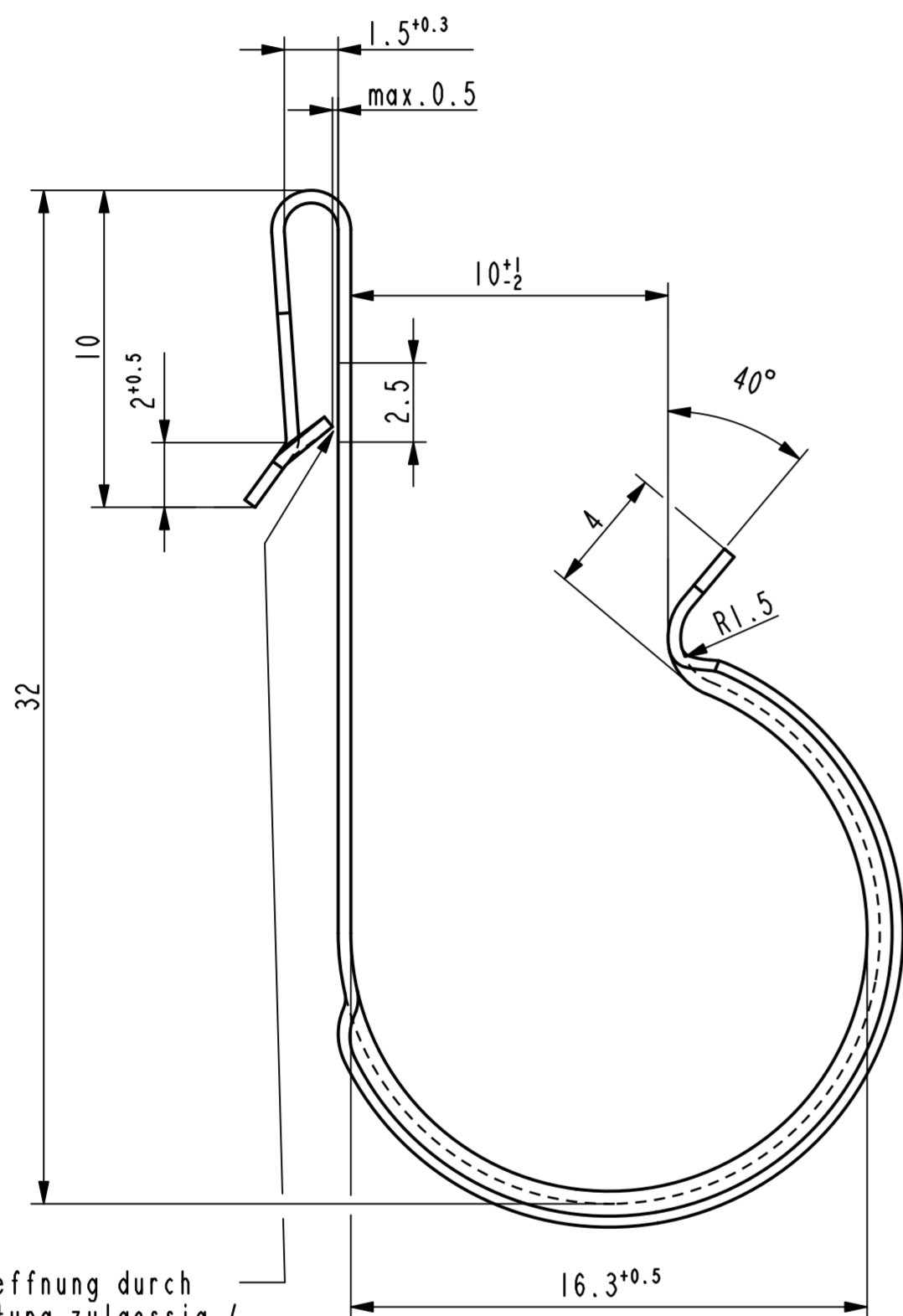
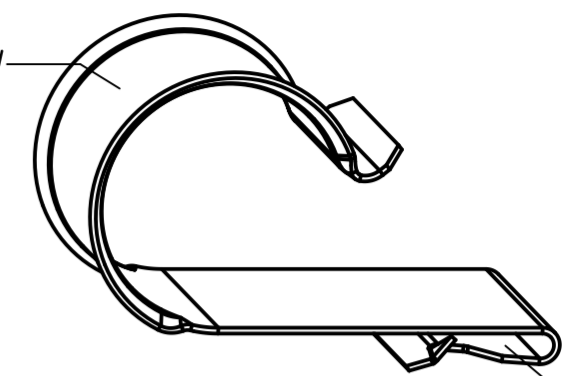


Vor Auslegung einer automatisierten Verarbeitung des Teils sollte Ruecksprache mit Fa. ARaymond gehalten werden.
 Fully automatic processing of the part requires prior consultation with ARaymond.



fuer Leitung $\varnothing 14 \dots 19$ /
 for cable



Befestigungsdicke 0.8 ... 1.5 /
 fastening thickness

Isometrische Ansicht /
 isometric view
 2:1

Freischnitt
 wahlweise /
 free punch
 alternative

1.5x45° i. Zuschnitt /
 in blank

Aa
 Ueberbrueckung der Oeffnung durch
 Oberflaechenbeschichtung zulassig /
 surface finish bridging permissible

-	-	-	-	-
-	-	-	-	-
-	-	-	-	-
-	-	-	-	-
-	-	-	-	-
-	-	-	-	-
-	-	-	-	-
-	-	-	-	-
-	-	-	-	-
-	-	-	-	-
Aa	3x	Oberflaechenvariante hinzug., Bemerkung hinzug., Allg.Tol. $\pm 5^\circ$ hinzug.	14.12.11	Ru
Rev.	Anzahl/ quantity	Aenderungsbeschreibung / modification description	Datum/date	Name

ARaymond
 A RAYMOND GmbH & Co.KG
 Teichstrasse 57
 Germany - 79511 Loerrach
 Phone +49 (0) 7621 174-0
 Fax +49 (0) 7621 174-225

Bei Verstaendnisproblemen beantragen Sie bitte beim Absender die deutsche Fassung vor jeder Anwendung.
 "CONDITIONS OF USE"
 This drawing and all information (the "Drawing") disclosed are the exclusive property of ARaymond.
 By using this Drawing the Addressee acknowledges and accepts that this Drawing
 (1) is covered by ARaymond' intellectual property rights or know-how and
 (2) is provided under the following conditions who represent a Deposit Agreement.
 This Drawing is for Addressee' internal use only limited to its estimation.
 Without prior written consent of ARaymond, no permission or rights for any purpose, is hereby granted, such as, without any limitation,
 (1) the copy, in part or entirely
 (2) and/or the presentation, in part or entirely, to any other third party outside the Addressee' company or in the company but with no interest
 (3) and/or the distribution of the Drawing, in part or entirely, in any medium
 (4) and/or the creation of any derivative work.
 In case of breach of these conditions, Addressee shall indemnify ARaymond from and against all damages (compensatory or consequential),
 costs, expenses and charges, caused or arising out of or attributable to its willful misconduct, fraud, negligence, infringement of
 ARaymond' intellectual property rights. If the Addressee does not accept these conditions, please notify ARaymond' sender immediately.

Intellectual property rights	vorbehalten / all rights reserved		Classification code	BCAD-	
Ersatz fuer/ substitute for	020525.C.01/-/03.05.2002	Entw.Ref./ dev.ref.	Projekt-Nr./ project no.		
Masstab/ scale	5:1	Allgemeintoleranz/ general tolerance	Datum/ date	14.12.2011	
Format	A2	$\pm 0.5 / \pm 5^\circ$ Aa	Erstellt von/ prepared by	Ruzicka	
Projektion / projection	ALL DIMENSIONS ARE IN MILLIMETERS	Freigegeben/ approved	20120104071319		
Blechklaesse/ mat. thickness DIN EN 10140	0.40	Volumen/ volume (mm ³)	454.1	Gewicht/ weight (g)	3.6

Oberfl./
finish
metallhaltige Korrosionsschutzbeschichtung, Farbe schwarz
 metallic corrosion protection coated, colour black
 Oberfl. Code/
finish code
5451

Werkstoffbehandl./
material treatment
zwischenstufenverguetet / austempered
435 ... 535 HV 5

Werkstoff/
material
C67S DIN EN 10132-4
 Mat. code
1000

Bezeichnung/
title
Leitungsbefestiger
 cable clip

Teil-Nr./
part no.
020525-0-01
 Drawing type
C:Customer

Aa	020525-0-02	metallhaltige Korrosionsschutzbeschichtung, Farbe schwarz metallic corrosion protection coated, colour black	5550		
	Teil-Nr. / part no.	Oberflaechen / Farbe / finish / colour	Oberfl. Code/ finish code		
	Ausfuhrung / Execution				
	Kundenteile-Nr. / customer part no.	-		Blatt / sheet	1 / 1
	CAD system & version	ProE WF4	Dateiname / filename	020525-0C00	