

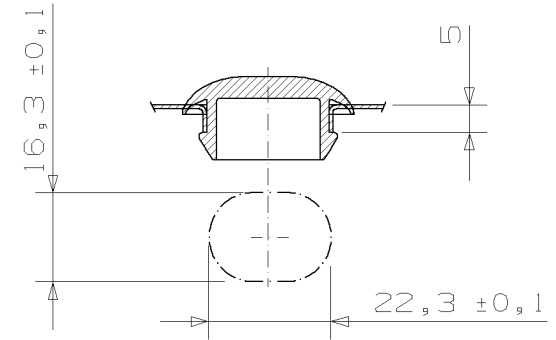
<http://www.cergy-vis.fr>

[CERGY-VIS]

ET SI ON PARLAIT SERVICE

SERVE SOLO PER INFORMAZIONE
IT USES ONLY FOR INFORMATION

ESEMPIO D'IMPIEGO / EXAMPLE OF APPLICATION:



A.	**	RIDOTTO SPESSORI E VARIATO MATERIALE	15/05/09	GC VS
IND.	N. QUOTE	DESCRIZIONE / DESCRIPTION	DATE	NAME

MODIFICHE / MODIFICATIONS



A. Raymond Italiana s.r.l.

Strada Prov.le To-Svizzera 41-13040 CARISIO (VC) - Tel. 0161937311/Tlx 222439/Fax 0161971058

<p>CONDITIONS OF USE</p> <p>This drawing and all information (the Drawing) is the exclusive property of A. Raymond. By using this Drawing the Addressee acknowledges and accepts that this Drawing (1) is covered by A. Raymond intellectual property rights or know-how and (2) is provided under the following conditions who represent a Deposit Agreement. The Drawing and all information contained therein are to be used only for the production of parts or rights for any purpose, is hereby granted, such as without any limitation, (1) the copy, in part or entirely, (2) and/or the presentation, in part or entirely, to any other third party outside the Addressee company or in the company but with the interference of the Drawing, in part or entirely, in any medium (3) and/or the creation of any derivative work. In case of breach of these conditions, Addressee shall indemnify A. Raymond from and against all damages (compensatory or consequent) all costs, expenses and charges, caused or arising out of or attributable to its willful misconduct. If the Addressee does not accept these conditions, please notify A. Raymond sender immediately.</p> <p>Per problemi di incomprensione, prega richiederne la versione Italiana ad A. Raymond prima dell'utilizzo del disegno.</p>	<p>CLIENTE/CUSTOMER: RIFERIMENTO/NUMBER:</p>	<p>DATA / DATE: 13/05/09</p>	
	<p>BREVETTI / PATENTS:</p>	<p>DESIGN / DESIGNER: ZAGHI</p>	
	<p>FORMAT A3</p>	<p>U.T.P.: VAREGIO</p>	
	<p>SCALE / SCALE: 2 : 1</p>	<p>U.T.O.: VERCELLONE</p>	
	<p>GENERAL TOLERANCE QUOTE / DIMENSIONS ANGOLI / ANGLES</p>	<p>PRODUZ./PRODUCT.: MARENGO</p>	
	<p>±0.5 ±5°</p>	<p>QUALITA'/QUALITY: NEVONE</p>	
	<p>PESO / WEIGHT:(g) TH. -VOL. (mm-mm³)</p>	<p>TRATTAMENTO SUPERFICIALE O COLORE / SURFACE TREATMENT OR COLOR: NERO / BLACK</p>	
	<p>TRATTAMENTO / TREATMENT: SENZA / WITHOUT</p>	<p>MATERIALE / MATERIAL: EMP 60 (500120213) EMP 60 T. FIAT 55248/02</p>	
	<p>DENOMINAZIONE / PARTNAME: TAPPO / PLUG</p>	<p>PROD.LINE: 02</p>	<p>PROD. FAMILIES: 50</p>
	<p>PROD.LINE: 02</p>	<p>NUMERO / NUMBER: 214672.000</p>	<p>C</p>