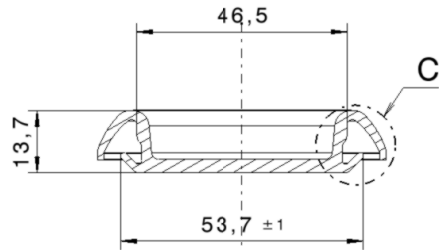
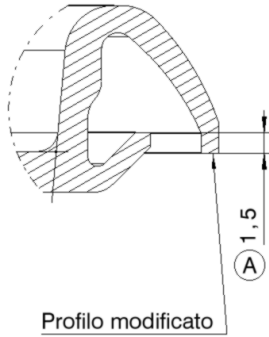


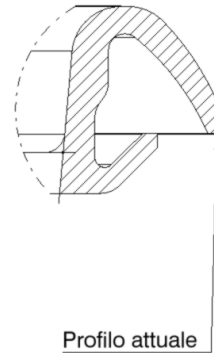
Section view A-A[3]



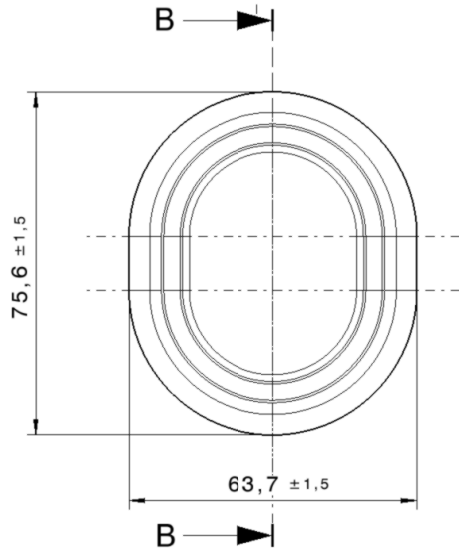
Detail C[3]
Scale: 3:1



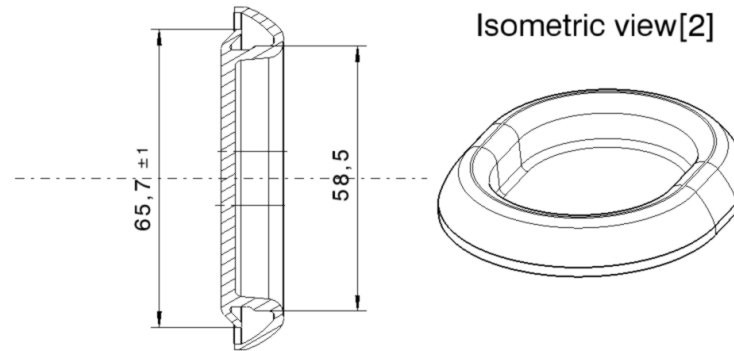
Detail C[4]
Scale: 3:1



Section view B-B[3]



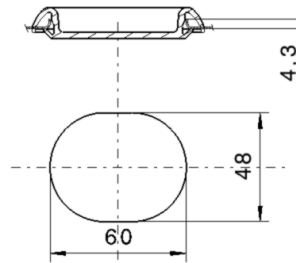
Isometric view[2]



SERVE SOLO PER INFORMAZIONE
IT USES ONLY FOR INFORMATION

DISEGNO REALIZZATO CON CATIA V5, NON SONO AMMESSE MODIFICHE MANUALI / THIS DRAWING IS MADE BY CATIA V5, MANUAL MODIFICATIONS ARE NOT POSSIBLE

ESEMPIO D'IMPIEGO / EXAMPLE OF APPLICATION: SCALA/SCALE 1:1



COD. TPO:

A	*	AUMENTATO BORDO ESTERNO	08/02/08	M. S.C. G
IND	N	DESCRIZIONE / DESCRIPTION	DATE	NAME

MODIFICHE / MODIFICATIONS



A Raymond Italiana s.r.l.
Strada Prov. Le To-Svizzera 41-13040 CARISIO (VC) - Tel. 0161937311/Tlx 222439/Fax 016191058

CLIENTE/CUSTOMER:		DATA / DATE:	
RIFERIMENTO/NUMBER:		03/09/07	
BREVETTI / PATENTS:		DISEGN./DESIGNER:	
FORMAT A3		MAGGI	
SCALA / SCALE:		U.T.P.:	
1:1		CHIORBOLI	
GENERAL TOLERANCE		U.T.O.:	
± 0,5		MAGA	
± 5°		PRODUC./PRODUCT.:	
PESO / WEIGHT: (g)		MARENGO	
TH. -VOL. (mm-mmc)		QUALITA'/QUALITY:	
CASCIANO			
TRATTAMENTO SUPERFICIALE O COLORE / SURFACE TREATMENT OR COLOR:			
NERO / BLACK			
TRATTAMENTO / TREATMENT:			
SENZA / WITHOUT			
MATERIALE / MATERIAL:			
PP-EPDM 70 (500120215)			
CEMP 70 TAB. FIAT 55248/02)			
DENOMINAZIONE / PARTNAME:			
TAPPO / PLUG			
PROD. LINE: 02		PROD. FAMILIES: 50	
NUMERO / NUMBER:			
210121.000 C			

CONDITIONS OF USE

This drawing and all information contained are the exclusive property of A. Raymond. By using this Drawing the Addressee acknowledges and accepts that this Drawing (1) is covered by A. Raymond intellectual property rights or know-how and (2) that the Addressee is not permitted to reproduce, disseminate, or otherwise use this Drawing for any purpose, in part or entirely, without prior written consent of A. Raymond. No permission or rights for any purpose, in part or entirely, to any other third party outside the Addressee company or in the (3) company but with no restriction, in part or entirely, to any other third party outside the Addressee company or in the (4) and/or the creation of any derivative work. In case of breach of these conditions, Addressee shall indemnify A. Raymond from and against all damages compensatory of the breach of these conditions, including reasonable attorneys' fees and/or other costs for the full and complete defense, litigation, enforcement, and/or settlement of A. Raymond intellectual property rights. If the Addressee does not accept these conditions, please notify A. Raymond immediately. For problems or inconsistencies, please contact the sales representative for the Addressee's region.