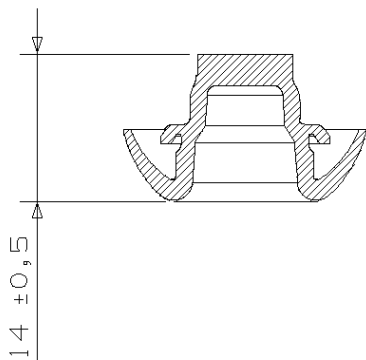
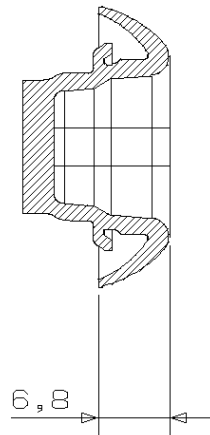


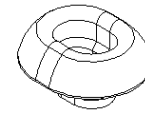
SECTION A-A



SECTION B-B

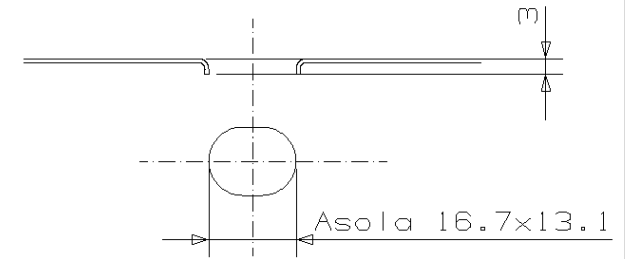


ISOMETRIC VIEW
SCALE 1:1



ESEMPIO D'IMPIEGO / EXAMPLE OF APPLICATION:

Schema foratura classe A
secondo norma Fiat 01328



IND	N. QUOTE	DESCRIZIONE / DESCRIPTION	DATE	NAME
MODIFICHE / MODIFICATIONS				



A. Raymond Italiana s.r.l.

Sbrada Prov. le To-Svizzera 41-13040 CARISIO (VC) - Tel. 0181937311/Tlx 222439/Fax 0181971058

CLIENTE/CUSTOMER: FIAT		RIFERIMENTO/NUMBER: VETTURA 198	
BREVETTI / PATENTS:		DATA / DATE: 20/06/06	
FORMAT A3		DISEGN./DESIGNER: MAGGI	
SCALA / SCALE: 2:1		U.T.P.: BODO	
GENERAL TOLERANCE QUOTE / DIMENSIONE ANOLI / ANOLES		U.T.O.: MAGA	
±0.5		PRODUZ./PRODUCT.: MARENGO	
PESO / WEIGHT: 2	QUALITA'/QUALITY: CASCIANO		
TRATTAMENTO SUPERFICIALE O COLORE / SURFACE TREATMENT OR COLOR: NERO / BLACK			
TRATTAMENTO / TREATMENT: SENZA / WITHOUT			
MATERIALE / MATERIAL: FORPRENE 70 (500120215) (EMP 70 TAB.FIAT 55248/02)			
DENOMINAZIONE / PARTNAME: TAPPO SU ASOLA 16.7x13.1 / PLUG ON SLOT 16.7x13.1			
PROD.LINE: 02		PROD. FAMILIES: 50	
NUMERO / NUMBER: 207308.000		C	

CONDITIONS OF USE
 This drawing and all information the drawing disclosed are the exclusive property of A. Raymond.
 (1) It is covered by A. Raymond intellectual property rights or know-how and is provided under the following conditions who represent a Deposit Agreement.
 (2) This drawing is for the Addresser internal use only limited to the call action, without prior written consent of A. Raymond.
 (3) The copy, in part or entirely, is hereby granted, such as, without any limitation, (1) the copy, in part or entirely, to any other third party outside the Addresser company or in the (2) and/or the presentation, in part or entirely, in any medium (3) and/or the distribution of the Drawing, in part or entirely, in any medium (4) and/or the creation of any derivative work.
 In case of breach of these conditions, Addresser shall indemnify A. Raymond from and against all damages (compensatory and/or punitive) suffered by A. Raymond or attributable to its willful misconduct, fraud, negligence, infringement of A. Raymond intellectual property rights.
 If the Addresser does not accept these conditions, please notify A. Raymond sender immediately.
 Per problemi di incomprensione, pregio richiederla la versione Italiana ad A. Raymond prima dell'utilizzo del disegno.

<http://www.cergy-vis.fr>
[CERGY-VIS]
 ET SI ON PARLAIT SERVICE

SERVE SOLO PER INFORMAZIONE
 IT USES ONLY FOR INFORMATION