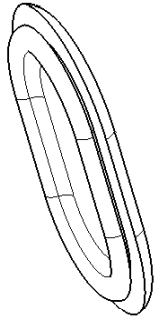
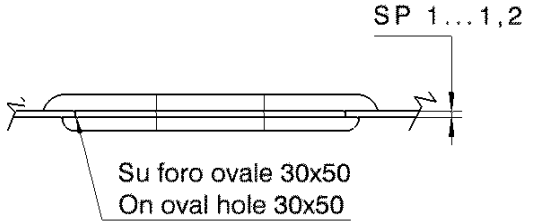
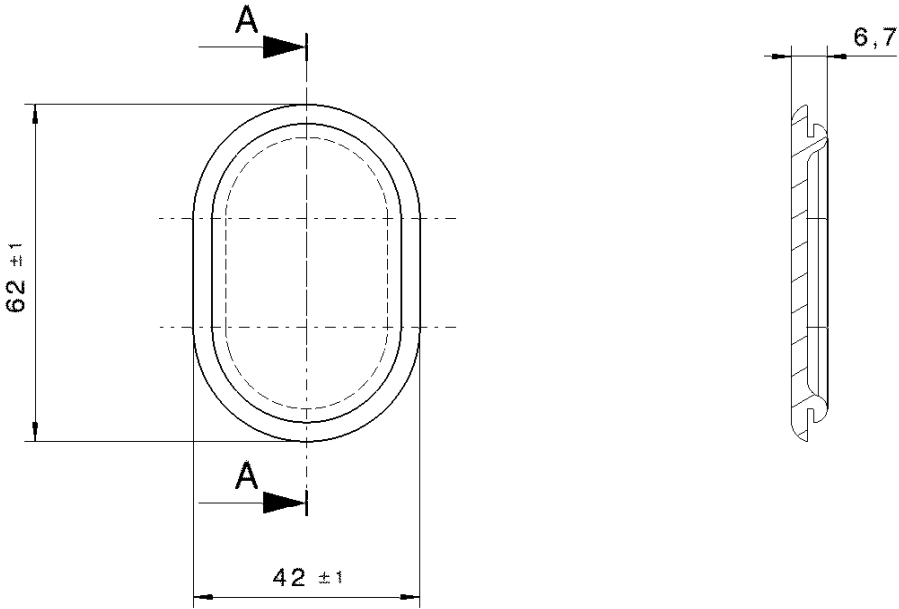


Isometric view
Scale: 1:1



Section view A-A



ESEMPIO D'IMPIEGO / EXAMPLE OF APPLICATION: SCALA/SCALE 1:1

IND.	N. QUOTE	DESCRIZIONE / DESCRIPTION	DATE	NAME

MODIFICHE / MODIFICATIONS



A. Raymond Italiana s.r.l.
Strada Prov. le To-Svizzera 41-13040 CARISIO (VC) - Tel. 0161937311/Tlx 222439/Fax 0161971058

CONDIZIONI DI USO		CLIENTE/CUSTOMER:	
This drawing and all information (the Drawing) disclosed are the exclusive property of A. Raymond. By using this Drawing the Addressee acknowledges and accepts that this Drawing (1) is covered by A. Raymond intellectual property rights or know-how and (2) is not to be used for any other purpose than the one intended by A. Raymond. This Drawing is for Addressee internal use only. No reproduction, distribution, or any other use without the express written consent of A. Raymond. No permission or rights for any purpose, is hereby granted, such as: without any limitation, (1) the copy, in part or entirely; (2) the presentation of the present part or entirely, to any other third party outside the addressee company or in the medium; (3) the presentation of the present part or entirely, in part or entirely, in any medium and/or the distribution of the Drawing; (4) and/or the creation of any derivative work. In case of breach of these conditions, Addressee shall indemnify A. Raymond from and against all damages (consequential or consequential), costs, expenses and charges, caused or arising out of or attributable to its willful misconduct. If the Addressee does not accept these conditions, please notify A. Raymond sender immediately. Per problemi di comprensione, prego richiederne la versione Italiana ad A. Raymond prima dell'utilizzo del disegno.		RIFERIMENTO/NUMBER:	
BREVEVETTI / PATENTS:		DATA / DATE:	
FORMAT A3		09/04/09	
SCALA / SCALE:		DISEGNO / DESIGNER:	
± 0.5		PERINO	
± 5°		U.T.P.:	
PESO / WEIGHT: (g)		VARESIO	
TH. -VOL. (mm-nmc)		U.T.O.:	
TRATTAMENTO SUPERFICIALE O COLORE / SURFACE TREATMENT OR COLOR:		MAGA	
NERO / BLACK		PROD.2. / PRODUCT.:	
TRATTAMENTO / TREATMENT:		MARENGO	
MATERIALE / MATERIAL:		QUALITA' / QUALITY:	
PVC (500120301)		CASCIANO	
DENOMINAZIONE / PARTNAME:			
TAPPO PLUG			
PROD. LINE: 02		PROD. FAMILIES: 50	
NUMERO / NUMBER:			
112064.000 C			

SERVE SOLO PER INFORMAZIONE
 IT USES ONLY FOR INFORMATION