

Kennzeichnung: / Identification:

Hersteller - Code

Mfr. - Code

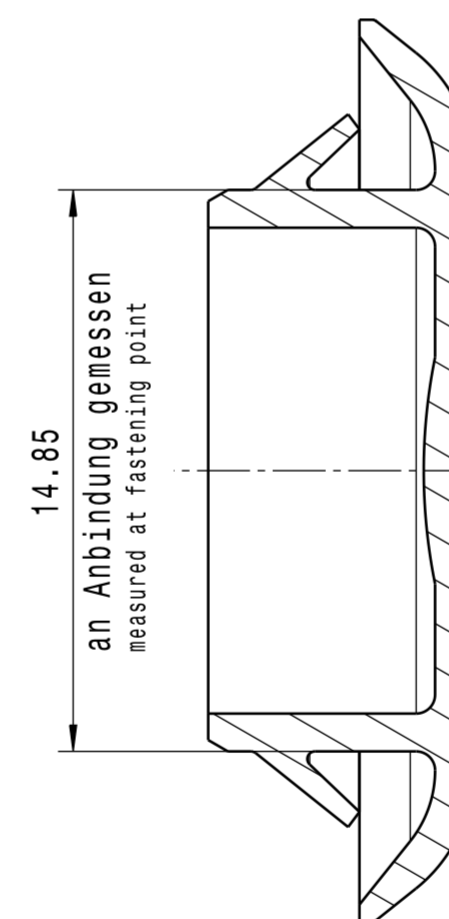
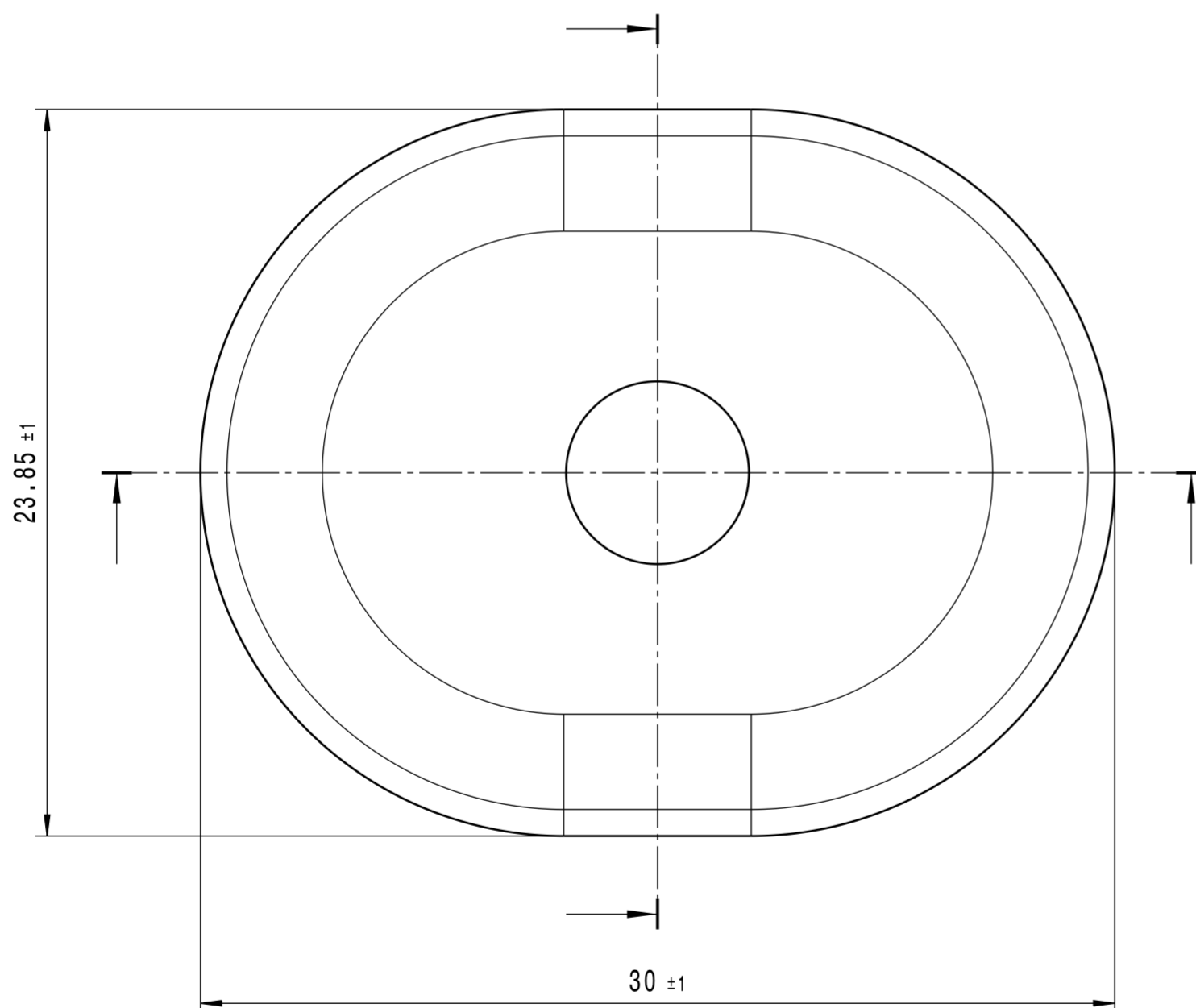
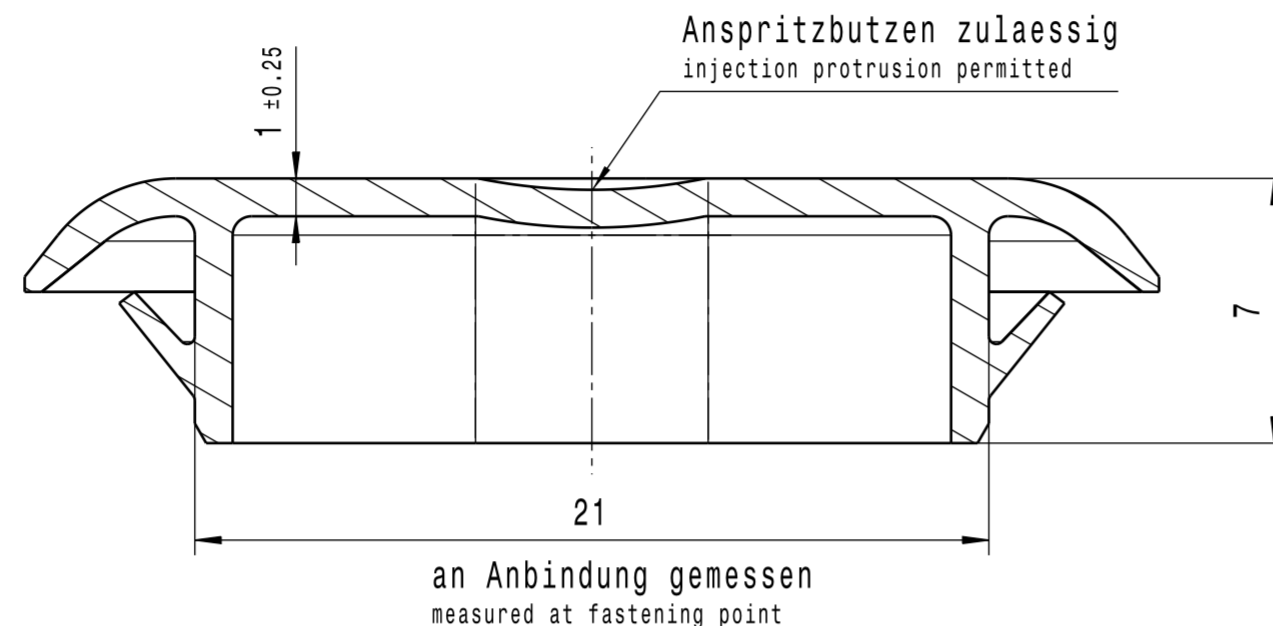
Werkstoff - Code

Material - Code

VDA 260 >TEEE<

Unbemasste Geometrien sind dem 3D-Datensatz zu entnehmen

Undimensioned geometry must be taken from 3D-data



Befest. - Loch = 16 x 22
Fastening hole
Befest. - Dicke = 0,7 . . . 0,9
Fastening thickness

1:1



-	-	-	-	-
-	-	-	-	-
-	-	-	-	-
-	-	-	-	-
-	-	-	-	-
-	-	-	-	-
-	-	-	-	-
-	-	-	-	-
Ab	-	Varianten-Code korrigiert	22.06.10	KR
Aa	-	I-Way Konform / 3D nicht geaendert	15.06.10	KR
Rev.	Anzahl/ quantity	Aenderungsbearbeitung / modification description	Datum/date	Name

Teichstrasse 57
Germany - 79511 Loerrach
Phone +49 (0) 7621 174-0
Fax +49 (0) 7621 174-2 25

Bei Verstaendnisproblemen beantragen Sie bitte beim Absender die deutsche Fassung vor jeder Anwendung.
"CONDITIONS OF USE"
This drawing and all information (the "Drawing") disclosed are the exclusive property of ARaymond.
By using this Drawing the Addressee acknowledge and accept that this Drawing (1) is covered by ARaymond intellectual property rights or know-how and (2) is provided under the following conditions who represent a Deposit Agreement.
This Drawing is for Addressee internal use only limited to its estimation.
Without prior written consent of ARaymond, no permission or rights for any purpose, is hereby granted, such as, without any limitation, (1) the copy, in part or entirely, (2) and/or the presentation, in part or entirely, to any other third party outside the Addressee company or in the company but with no interest (4) and/or the creation of any derivative work.
In case of breach of these conditions, Addressee shall indemnify ARaymond from and against all damages (compensatory or consequential), costs, expenses and charges, caused or arising out of or attributable to its willful misconduct, fraud, negligence, infringement of ARaymond Intellectual Property rights. If the Addressee does not accept these conditions, please notify ARaymond sender immediately.

Schutzrechte/ patent rights	vorbehalten / all rights reserved			Rasch Code/ classification	FACE-
Ersatz fuer/ substitute for	020758/A/15.01.2003	Entw.Ref./ dev.ref.	Projekt-Nr./ project no.		
Masstab/ scale	Format	Allgemeintoleranz/ general tolerance	Datum/ date	15.06.2010	
5:1	A2	DIN ISO 2768-c	Erstellt von/ prepared by	Kraus	
Projektion / projection	ALL DIMENSIONS ARE IN MILLIMETERS			Freigegeben/ approved	20100622085340
	Bleeddicke/ sheet thickness DIN EN 10140	-	Volumen/ volume (mm³)	1063	Gewicht/ weight (g) 1,30

Oberfl./
finish

Werkstoffbehandl./
material treatment

Werkstoff/
material

TPE-E 55Shore D
TPE-E 55Shore D

Mat. code
6571

Benennung/
title

Abdeckkappe
plug

Teil-Nr./
part no.

020758-0-01

Drawing type
Customer

020758-0-01	Schwarz black	Kurz	7001		
Teil-Nummer / Part-no.	Oberflaeche / Farbe / Finish / colour	Kennzahl/ Code number	Kundenteile-Nr. / customer part no. W07119S300		Blatt / sheet 1 / 1
Ausfuehrung / Execution			CAD system & version CATIA V5 R19	Dateiname / filename 020758-0c01	