

Kennzeichnung: / Identification:

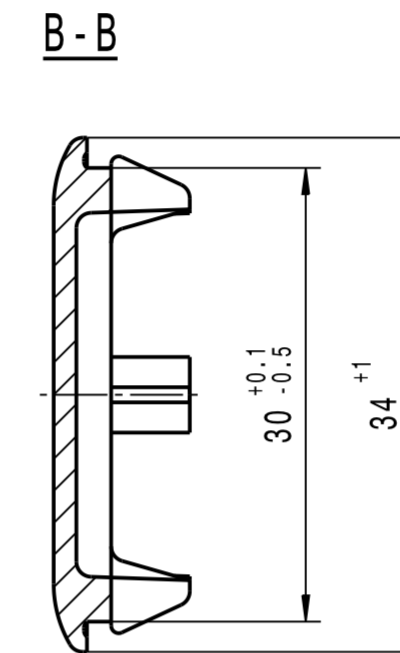
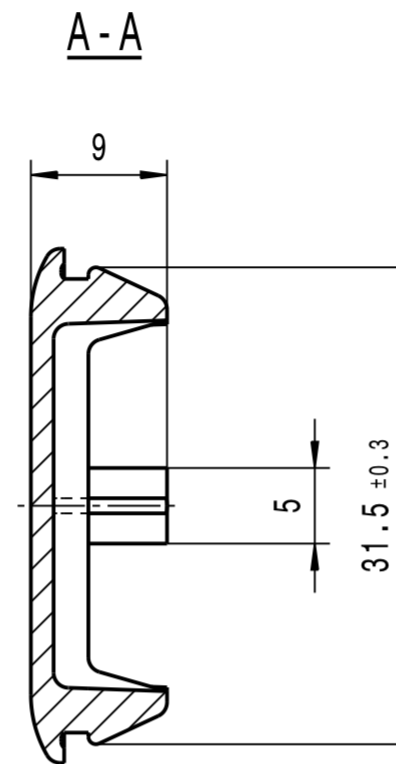
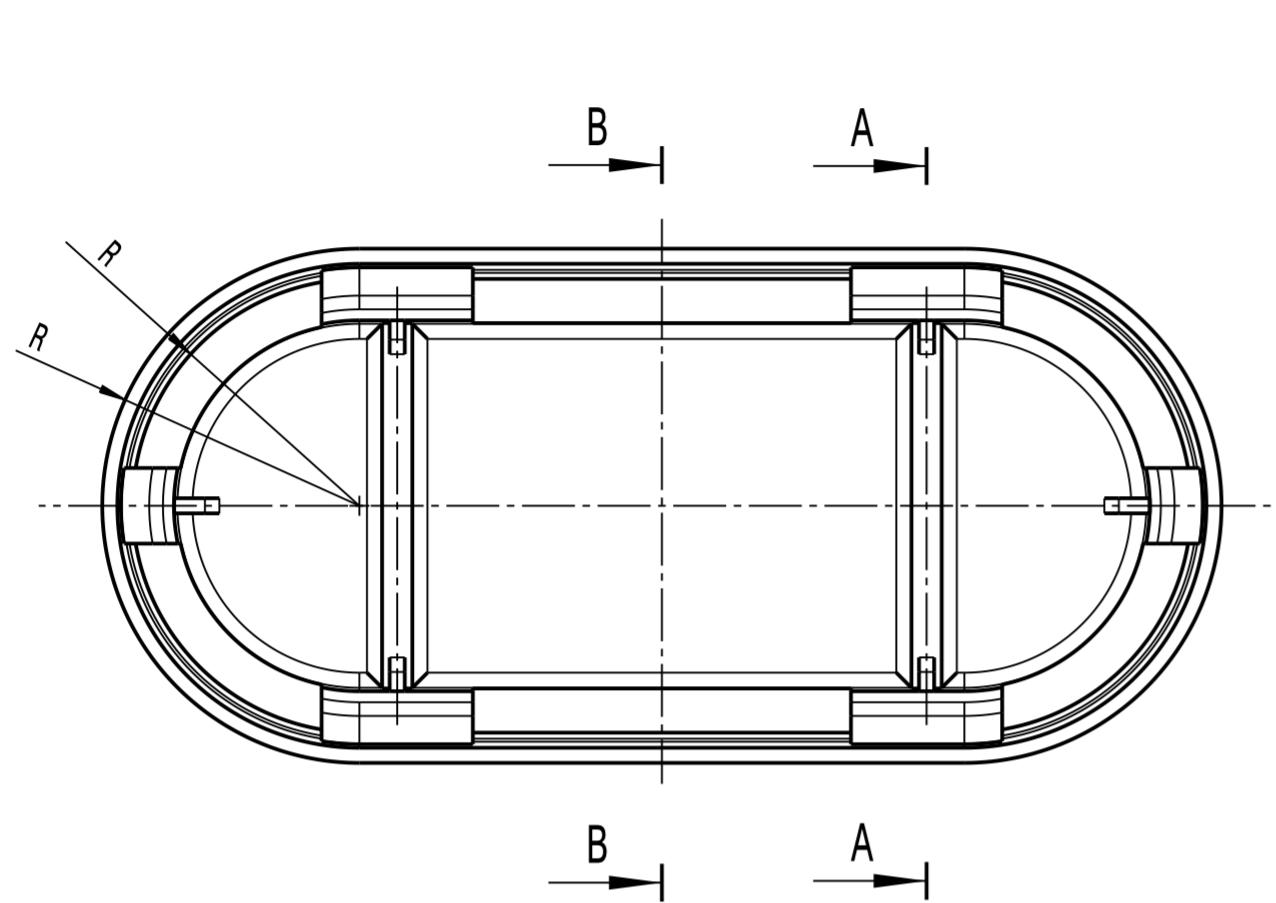
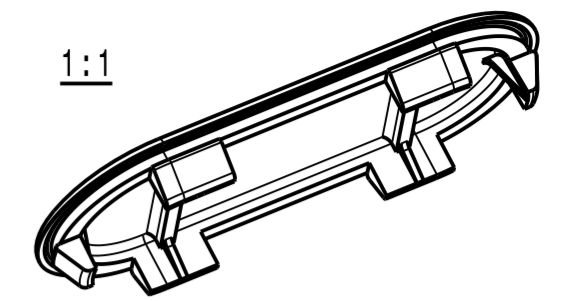
Hersteller - Code

Mfr. - Code

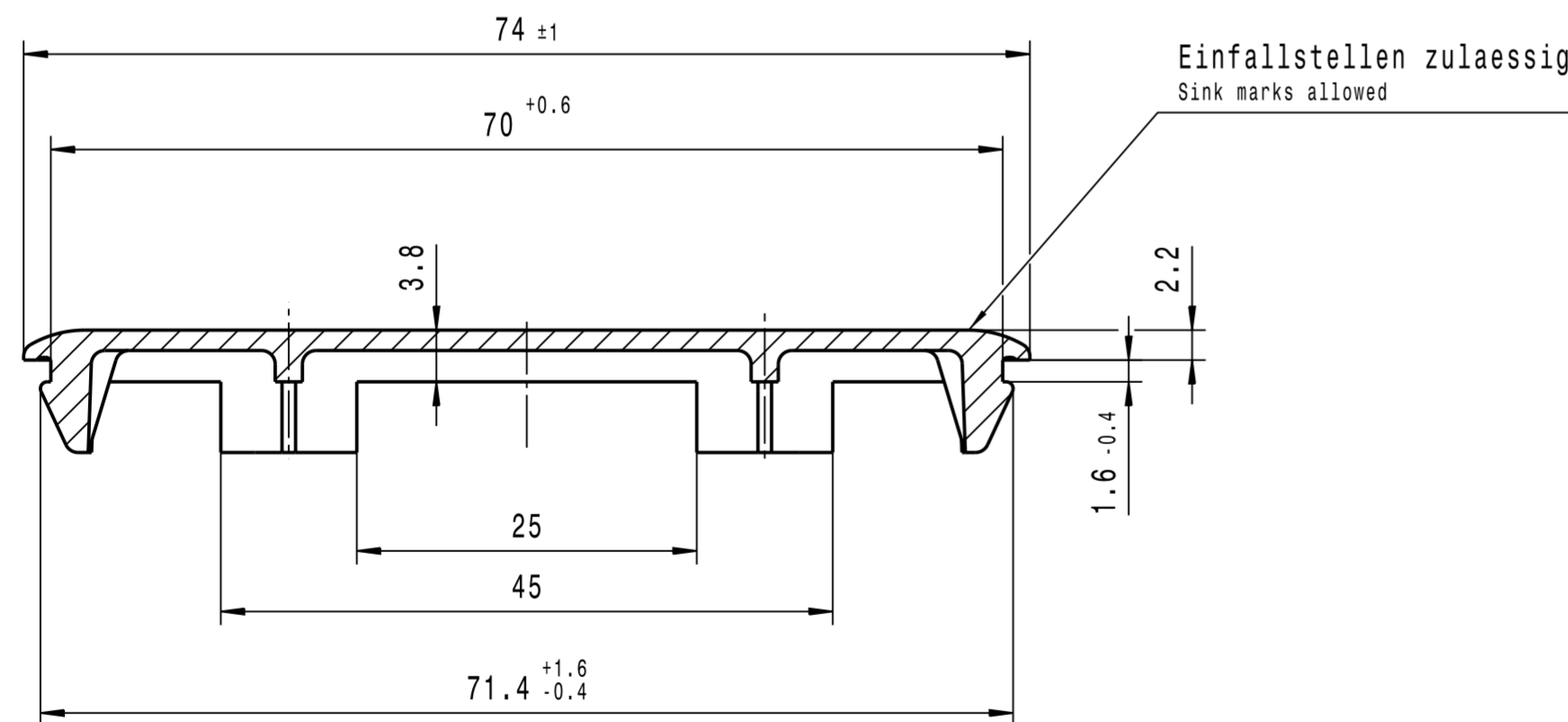
Werkstoff - Code VDA 260 >PE<

Material - Code

1:1



Befest. - Loch = $70^{+0.5} \times 30^{+0.3}$
Fastening hole
Befest. - Dicke = 0.8 ... 1.5
Fastening thickness



Rev.	Anzahl/quantity	Aenderungsbeschreibung / modification description	Datum/date	Name
Db	1x	Farbcode geaendert	21.06.13	Pr
Da	-	Zeichnung ueberarbeitet nach AR- Gruppenstandard, Teil in 3D	18.06.13	Pr



Teichstrasse 57
Germany - 79511 Loerrach
Phone +49 (0) 7621 174-0
Fax +49 (0) 7621 174-2 25

Bei Versandproblemen beantragen Sie bitte beim Absender die deutsche Fassung vor jeder Anwendung.
"CONDITIONS OF USE"
This drawing and all information (the "Drawing") disclosed are the exclusive property of ARaymond.
By using this Drawing the Addressee acknowledges and accepts that this Drawing (1) is covered by ARaymond Intellectual Property rights or know-how and (2) is provided under the following conditions who represent a Deposit Agreement.
This Drawing is for Addressee internal use only limited to its estimation.
Without prior written consent of ARaymond, no permission or rights for any purpose, is hereby granted, such as, without any limitation, (1) the copy, in part or entirely, (2) and/or the presentation, in part or entirely, to any other third party outside the Addressee company or in the company but with no interest (3) and/or the distribution of the Drawing, in part or entirely, in any medium (4) and/or the creation of any derivative work.
In case of breach of these conditions, Addressee shall indemnify ARaymond from and against all damages (compensatory or consequential), costs, expenses and charges, caused or arising out of or attributable to its willful misconduct, fraud, negligence, infringement of ARaymond Intellectual Property rights, if the Addressee does not accept these conditions, please notify ARaymond sender immediately.

Intellectual Property rights	vorbehalten / all rights reserved		Classification Code	FACA-
Ersatz fuer/ substitute for	16673.520/4/04.08.98	Entw.Ref./ dev.ref.	Projekt-Nr./ project no.	
Masstab/ scale	2:1	Allgemeintoleranz/ general tolerance	Datum/ date	18.06.2013
Format	A2	±0.5 / ±5°	Erstellt von/ prepared by	Preuß
Projektion / projection	ALL DIMENSIONS ARE IN MILLIMETERS	Freigegeben/ approved	20130621061507	
Bleeddicke/ mat. thickness	DIN EN 10140	Volumen/ volume (mm³)	5364,86	Gewicht/ weight (g) 4,93

Oberfl./ finish

Werkstoffbehandl./ material treatment

Werkstoff/ material PE-LD Mat. code 4520

Benennung/ title

Stopfen
plug

(Db)

Teil-Nr. / part no.	016673-0-00	schwarz / black	sw	7001	Drawing type	C:Customer
Kundenteile-Nr. / customer part no.	XXXXXXXXXX				Blatt / sheet	1 / 1
Ausfuhrung / Execution	CAD system & version		CATIA V5 R19		Dateiname / filename	016673-0c00

