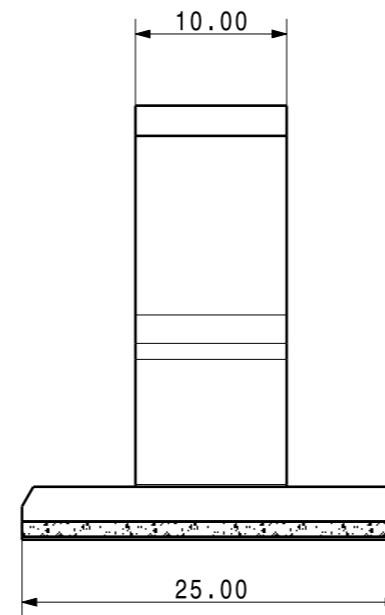
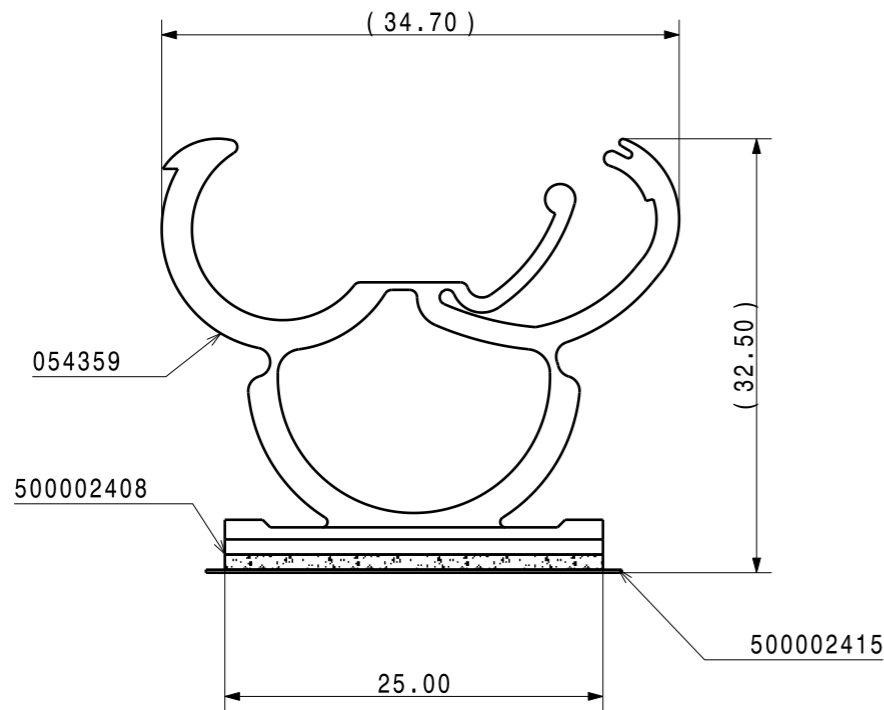
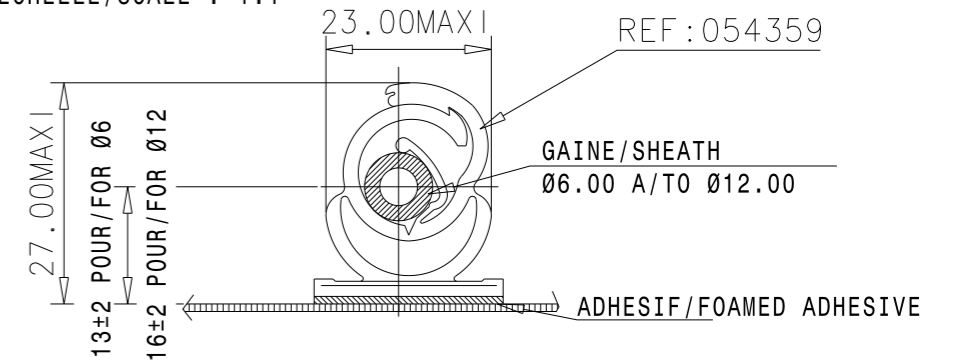


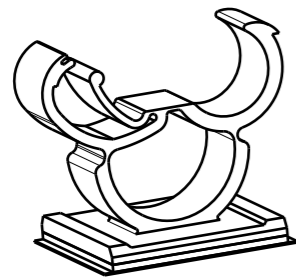
Pièce / Part	Corps / Body	Matières / Materials	Epaisseur / Thickness	Traitements structuraux / Material treatments	Finitions / Finishes	Qté / Qty	Volume (mm3)	Poids / Weight (g)
054359-0-00	-	PP 0500		Sans Without	Noir Black	1	2884,2	2,6
500002408	-	DOUBLE FACE LOHMAN REF 911 FN LARGEUR 25		Sans Without	Sans Without	1	625	0,6
500002415	-	PAPIER SILICONE REF 390 LARGEUR 30		Sans Without	Sans Without	1	137,5	0,1

Une consultation préalable de A.Raymond SARL est nécessaire pour toute mise en place de la pièce en automatique.  
Automatic processing of the part requires prior consultation with A.Raymond SARL.

EXEMPLE D'UTILISATION/USE CONDITION  
ECHELLE/SCALE : 1:1



VUE ISO/3D VIEW  
ECHELLE/SCALE : 1:1



**A Raymond**  
113 cours Berriat BP 157  
France - 38019 Grenoble cedex 1  
Tel +33 (0) 4 76 33 49 49  
Fax +33 (0) 4 76 78 20 50

Si problème de compréhension, merci de demander la version française à A.Raymond avant toute utilisation.  
"CONDITIONS OF USE"  
This drawing and all information (the "Drawings") disclosed are the exclusive property of A.Raymond. By using this Drawing the Addressee acknowledges and accepts that this Drawing (1) is covered by A.Raymond intellectual property rights or know-how and (2) is provided under the following conditions which represent a Deposit Agreement. This Drawing is for Addressee internal use only limited to its estimation. Without prior written consent of A.Raymond, no permission or rights for any purpose, is hereby granted, such as, without any limitation, (1) the copy, in part or entirely (2) and/or the presentation, in part or entirely, to any other third party outside the Addressee company or in the company but with no interest (3) and/or the distribution of the Drawings, in part or entirely, in any medium (4) and/or the creation of any derivative work. In case of breach of these conditions, Addressee shall indemnify A.Raymond from and against all damages (compensatory or consequential), costs, expenses and charges, caused or arising out of or attributable to its willful misconduct, fraud, negligence, infringement of A.Raymond Intellectual Property rights. If the Addressee does not accept these conditions, please notify A.Raymond sender immediately.

Brevets / Patent rights		Classification code <b>BABA-</b>	
N° Projet / Project No.	Origine / Origin	Chef de projet / Project Manager	
Echelle / scale <b>2:1</b>	Format <b>A3</b>	Tolerance / General tolerance Dimension Angle <b>± 0.50 ± 5.00°</b>	Date <b>06.10.1983</b>
ALL DIMENSIONS ARE IN MILLIMETERS		Approuvé / Approved	<b>20101027081917</b>
Epaisseur / Mat. thickness	Volume (mm³)	Poids / Weight (g)	<b>3,3</b>

Finition / finish  
**Voir nomenclature  
See parts list**

Traitement structural / Material treatment  
**Voir nomenclature  
See parts list**

Matière / Material  
**Voir nomenclature  
See parts list**

Libelle / Title  
**Support tube à verrouillage  
Locking pipe fastener**

Reference / Part no.  
**060988-0-01**

Ref. client / Customer part no.  
CAD system & version **CATIA V5 R19 SP7**  
Nom fichier / File name **060988-0C01**

REV.	Quant.	Indice / revision description	Date	Name
Eb	-	UPDATED DRAWING	27.10.10	FAI

VERIFIER L ECHELLE APRES PHOTOCOPIE / BEWARE SCALE AFTER COPY

4  
3  
2  
1

4  
3  
2  
1

H G F E D C B A