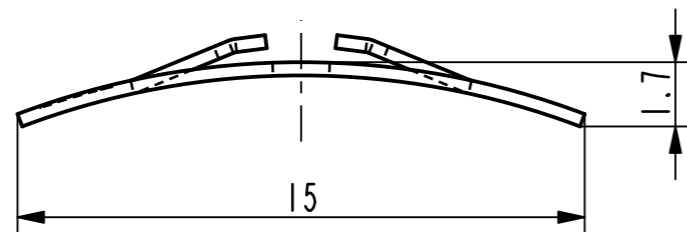
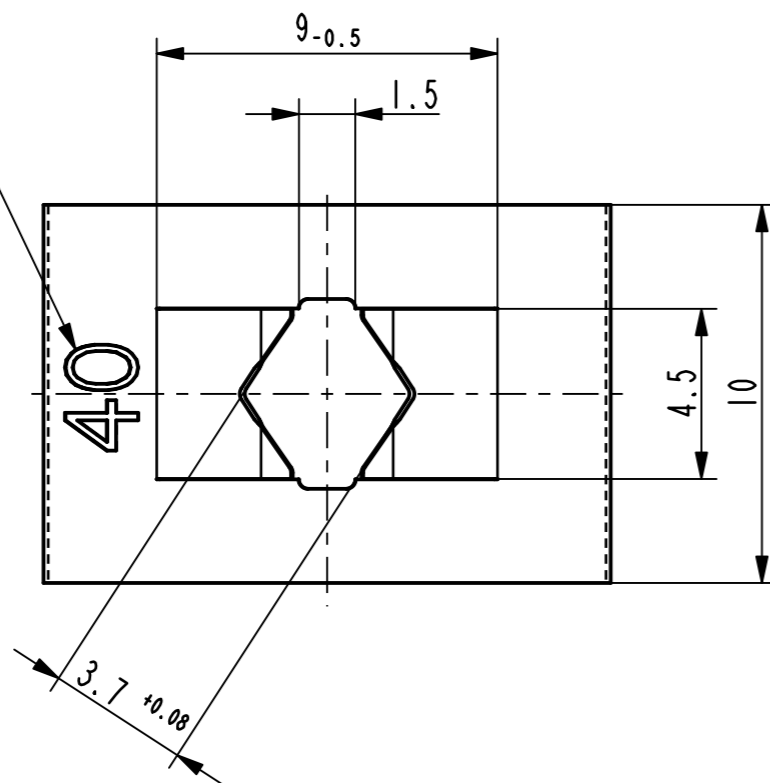




Isometrische Ansicht /  
isometric view  
2:1



Kennzeichnung zulaessig /  
marking permissible



Ab	011182-0-05	verzinkt / passiviert farblos zinc plated / passivated colourless	3250
	011182-0-04	metallhaltige Korrosionsschutzbeschichtung, Farbe schwarz metallic corrosion protection coated, colour black	5451
	011182-0-03	impraegniert oiled	7000
	Teil-Nr. / part no.	Oberflaeche / Farbe / finish / colour	Oberfl. Code/ finish code
	Ausfuehrung / Execution		

Vor Auslegung einer automatisierten Verarbeitung des Teils sollte Ruecksprache mit Fa. ARaymond gehalten werden.  
Fully automatic processing of the part requires prior consultation with ARaymond.

-	-	-	-	-
-	-	-	-	-
-	-	-	-	-
-	-	-	-	-
-	-	-	-	-
-	-	-	-	-
-	-	-	-	-
-	-	-	-	-

Ab	lx	Oberflaechenvariante hinzugefuegt	15.08.11	Ru
Aa	-	Oberflaechenvariante entfernt (3000)	13.07.11	mj
Rev.	Anzahl/ quantity	Aenderungsbeschreibung / modification description	Datum/date	Name



Teichstrasse 57  
Germany - 79511 Loerrach  
Phone +49 (0) 7621 174-0  
Fax +49 (0) 7621 174-225

A RAYMOND GmbH & Co.KG

Bei Verstaendnisproblemen beantragen Sie bitte beim Absender die deutsche Fassung vor jeder Anwendung.

"CONDITIONS OF USE"

This drawing and all information (the "Drawing") disclosed are the exclusive property of ARaymond. By using this Drawing the Addressee acknowledges and accepts that this Drawing (1) is covered by ARaymond' intellectual property rights or know-how and (2) is provided under the following conditions who represent a Deposit Agreement. This Drawing is for Addressee' internal use only limited to its estimation. Without prior written consent of ARaymond, no permission or rights for any purpose, is hereby granted, such as, without any limitation, (1) the copy, in part or entirely, (2) and/or the presentation, in part or entirely, to any other third party outside the Addressee' company or in the company but with no interest (3) and/or the distribution of the Drawing, in part or entirely, in any medium (4) and/or the creation of any derivative work. In case of breach of these conditions, Addressee shall indemnify ARaymond from and against all damages (compensatory or consequential), costs, expenses and charges, caused or arising out of or attributable to its willful misconduct, fraud, negligence, infringement of ARaymond' intellectual property rights. If the Addressee does not accept these conditions, please notify ARaymond' sender immediately.

Intellectual property rights	vorbehalten / all rights reserved			Classification code	EAAB-
Ersatz fuer/ substitut for	011182_c_01/A/01.04.2004	Entw.Ref./ dev.ref.		Projekt-Nr./ project no.	
Masstab/ scale	5:1	Format	A3	Allgemeintoleranz/ general tolerance	± 0.25
Datum/ date	13.07.2011		Erstellt von/ prepared by	M. Junge	
Freigegeben/ approved	20110824075600		Freigegeben/ approved	20110824075600	
Projektion / projection	ALL DIMENSIONS ARE IN MILLIMETERS		Blechdicke/ mat. thickness DIN EN 10140	0.35	Volumen/ volume (mm³)
			48.5	Gewicht/ weight (g)	0.4
Oberfl./ finish	phosphatiert / impraegniert phosphated / oiled				Oberfl. Code/ finish code
					5100
Werkstoffbehandl./ material treatment	zwischenstufenverguetet / austempered 435 ... 535 HV 3				
Werkstoff/ material	C67S DIN EN 10132-4				Mat. code
					1000
Benennung/ title	Federmutter fuer Bolzen Ø4h11 spring nut for bolt Ø4h11				
Teil-Nr./ part no.	011182-0-02			Drawing type	
				C:Customer	
Kundenteile-Nr. / customer part no.	-			Blatt / sheet	
				1 / 1	
CAD system & version	ProE WF4		Dateiname / filename		
			011182-0C00		